



Installation and Maintenance Manual

Section 1 General Information

Model Numbers	4
Ice Deflector	4
Bin Installation	4

Section 2 Installation Instructions

Location of Ice Machine	5
Clearance Requirements	5
Ice Machine Heat of Rejection	6
Removing Drain Plug and Leveling the Ice Storage Bin	6
Air Baffle	6
Electrical Service	7
Minimum Circuit Ampacity	7
Electrical Requirements	7
Ground Fault Circuit Interrupter	7
Minimum Power Cord Specifications	7
For United Kingdom Only	7
Maximum Breaker Size & Minimum Circuit Amperage Chart	8
Water Supply and Drain Requirements	9
Water Supply	9
Water Inlet Lines	9
Drain Connections	9
Water Supply and Drain Line Sizing/Connections	10
Water-Cooled Condenser Water Pressure	10
Cooling Tower Applications (Water-Cooled Models)	10
Remote Condenser/Line Set Installation	11
Remote Ice Machine Refrigerant Charge	11
General	12
Wiring	12
Guidelines for Routing Line Sets	12
Calculating Remote Condenser Installation Distances	13
Route the Line Set	14
Connect the Line Set	14
Pressure Test and Evacuate Line Set and Condenser	14
Open Line Set Valves	14
Installation Check List	15
Additional Checks for Remote Models	15
Before Starting the Ice Machine	15

**Section 3
Operation**

Ice Making Sequence of Operation 17
 Safety Limits 17
Operational Checks 18
 General 18
 Ice Thickness Check 18

**Section 4
Maintenance**

Cleaning and Sanitizing 19
 General 19
 Cleaning/Sanitizing Procedure 19
 Preventative Maintenance Cleaning Procedure 19
 Exterior Cleaning 19
Cleaning/Sanitizing Procedure 20
 Sanitizing Procedure 21
Parts Removal for Cleaning/Sanitizing 22
Preventative Maintenance Cleaning Procedure 23
Door Removal 23
Cleaning the Condenser Filter 23
Cleaning the Condenser 23
Removal from Service/Winterization 24
 Water-Cooled Ice Machines 24

**Section 5
Customer Support**

Checklist 25
Safety Limit Feature 26

 **Warning**

Follow these precautions to prevent personal injury:

- Remove all panels before lifting and installing.
- Two or more people or a lifting device are required to lift or move this appliance to avoid injury or tipping.
- Do not damage the refrigeration circuit when installing, maintaining or servicing the unit.
- Do not obstruct vents or openings or store gasoline or other flammable vapors or liquids in the vicinity of this or any other appliance.
- It is the responsibility of the equipment owner to perform a Personal Protective Equipment Hazard Assessment to ensure adequate protection during maintenance procedures.
- Do not operate equipment that has been misused, abused, neglected, damaged, or altered/modified from that of original manufactured specifications. This appliance is not intended for use by persons (including children) with reduced physical, sensory or mental capabilities, or lack of experience and knowledge, unless they have been given supervision concerning use of the appliance by a person responsible for their safety. Do not allow children to play with this appliance.
- Ice machines require a deflector when installed on an ice storage bin. Prior to using a storage system with this ice machine, contact the manufacturer to ensure their ice deflector is compatible with this ice machine.
- This equipment contains high voltage electricity and refrigerant charge. Installation and repairs are to be performed by properly trained technicians aware of the dangers of dealing with high voltage electricity and refrigerant under pressure. The technician must also be certified in proper refrigerant handling and servicing procedures. All lock out and tag out procedures must be followed when working on this equipment.
- Objects placed or dropped in the bin can affect human health and safety. Locate and remove any objects immediately.

 **Warning**

When using electric appliances, basic precautions must always be followed, including the following:

- Read all the instructions before using the appliance.
- To reduce the risk of injury, close supervision is necessary when an appliance is used near children.
- Do not contact moving parts.
- Do not use electrical appliances or accessories other than those supplied by the manufacturer.
- Do not use outdoors.
- All covers and access panels must be in place and properly secured, before operating this equipment.
- Connect to a properly grounded outlet only.
- For a cord-connected appliance, the following precautions must be observed:
 - A. Do not unplug by pulling on cord. To unplug, grasp the plug, not the cord.
 - B. Unplug from outlet when not in use and before servicing or cleaning.
 - C. Do not operate any appliance with a damaged cord or plug, or after the appliance malfunctions or is dropped or damaged in any manner. Contact the nearest authorized service facility for examination, repair, or electrical or mechanical adjustment.

Model Numbers

This manual covers the following models:

Self-Contained Air-Cooled	Self-Contained Water-Cooled	Remote
KD0250A KY0250A	----	----
KD0350A KY0350A	KD0350W KY0350W	----
KD0420A KY0420A	KD0420W KY0420W	----
KD0500A KY0500A	KD0500W KY0500W	----
KD0600A KY0600A	KD0600W KY0600W	----
KD1000A KY1000A	KD1000W KY1000W	KD1000N KY1000N
KD1350A KY1350A	KD1350W KY1350W	KD1350N KY1350N
KD1800A KY1800A	----	KD1800N KY1800N

ICE DEFLECTOR

An ice deflector is required when the ice machine is installed on a bin. An ice deflector is not required when the ice machine is installed on a dispenser.

BIN INSTALLATION

- All ice machines installed on a bin require an ice deflector.
- Koolaire bins have a deflector installed and require no modifications when used with a forward facing evaporator.
- Align sides and back of ice machine with sides and back of bin, when placing ice machine on bin.

Location of Ice Machine

The location selected for the ice machine must meet the following criteria. If any of these criteria are not met, select another location.

- The location must be free of airborne and other contaminants.
- The air temperature must be at least 35°F (1.6°C), but must not exceed 110°F (43.4°C).

NOTE: K1350 Minimum air temperature is 40°F (4.4°C).

- Remote air-cooled - The air temperature must be at least -20°F (-29°C), but must not exceed 120°F (49°C).
- The location must not be near heat-generating (ovens, dishwashers, etc) equipment or in direct sunlight and must be protected from weather.
- The location must not obstruct airflow through or around the ice machine. Refer to the clearance requirements chart.

These ice machines are intended for use in applications such as:

- Staff kitchen areas in shops, offices and other work environments
- Clients in hotels, motels, farmhouses, bed and breakfast and other residential type environments
- Catering and similar non-retail applications



Warning

Two or more people or a lifting device are required to lift this appliance.

Clearance Requirements



Warning

Do not obstruct ice machine vents or openings.

K0250	Self-Contained Air-Cooled	Self-Contained Water-Cooled*
Top/Sides	12" (30.5 cm)**	N/A
Back	5" (12.7 cm)**	N/A

K0350/K0420 K0500/K0600/ K1000/K1350/ K1800	Self-Contained Air-Cooled	Water-Cooled and Remote*
Top/Sides	8" (20.3 cm)**	8" (20.3 cm)**
Back	5" (12.7 cm)**	5" (12.7 cm)**

K0420 Tropical Rating 50 Hz Only	Self-Contained Air-Cooled	Water-Cooled*
Top	24" (61.0 cm)**	8" (20.3 cm)**
Sides	12" (30.5 cm)**	8" (20.3 cm)**
Back	5" (12.7 cm)**	5" (12.7 cm)**

K1000 Tropical Rating 50 Hz Only	Self-Contained Air-Cooled	Water-Cooled and Remote*
Top	12" (30.5 cm)**	8" (20.3 cm)**
Sides	8" (20.3 cm)**	8" (20.3 cm)**
Back	5" (12.7 cm)**	5" (12.7 cm)**

* There is no minimum clearance required for water-cooled or remote ice machines. This value is recommended for efficient operation and servicing only.

** Indicates Preliminary Data



Caution

The ice machine must be protected if it will be subjected to temperatures below 32°F (0°C). Failure caused by exposure to freezing temperatures is not covered by the warranty.

Ice Machine Heat of Rejection

Series Ice Machine	Heat of Rejection ¹	
	Air Conditioning ²	Peak
K0250	4600	5450
K0350	3800	6000
K0420	5400	6300
K0500	5300	6100
K0600	9000	13900
K1000	16250	18600
K1350	28300	34300
K1800	28800	34700

¹ B.T.U./Hour

² Because the heat of rejection varies during the ice making cycle, the figure shown is an average.

Ice machines, like other refrigeration equipment, reject heat through the condenser. It is helpful to know the amount of heat rejected by the ice machine when sizing air conditioning equipment where self-contained air-cooled ice machines are installed.

This information is also necessary when evaluating the benefits of using water-cooled or remote condensers to reduce air conditioning loads. The amount of heat added to an air conditioned environment by an ice machine using a water-cooled or remote condenser is negligible.

Knowing the amount of heat rejected is also important when sizing a cooling tower for a water-cooled condenser. Use the peak figure for sizing the cooling tower.

Removing Drain Plug and Leveling the Ice Storage Bin

Warning

To avoid instability, the bin/dispenser must be installed in an area capable of supporting the weight of the bin/dispenser, ice machine and a full bin of ice (48" models 1000 lbs [454 kg], 30" models 750 lbs [340 kg]). The bin/dispenser must be level side-to-side and front-to-back before installing the ice machine.

1. Remove threaded plug from drain fitting.
2. Screw the leveling legs onto the bottom of the bin.
3. Screw the foot of each leg in as far as possible.

Caution

The legs must be screwed in tightly to prevent them from bending.

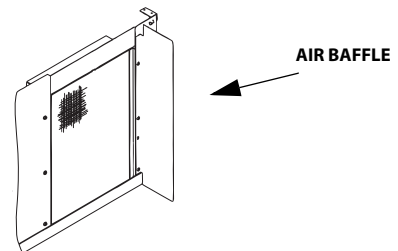
4. Move the bin into its final position.
5. Level the bin to assure that the bin door closes and seals and the ice machine operates properly. Use a level on top of the bin. Turn the base of each foot as necessary to level the bin.
6. Inspect bin gasket prior to ice machine installation. (Our bins come with a closed cell foam gasket installed along the top surface of the bin.)
7. Remove all panels from ice machine before lifting and installing on bin. Remove front panel, top cover, left and right side panels.

Air Baffle

Self-Contained Air-Cooled Only

The air-cooled baffle prevents condenser air from recirculating. To install:

1. Loosen the back panel screws next to the condenser.
2. Align the keyhole slots in the air baffle with the screw holes and slide the baffle down to lock in place.



Electrical Service

Warning

All electrical work, including wire routing and grounding must conform to all applicable national and local electrical codes.

MINIMUM CIRCUIT AMPACITY

The minimum circuit ampacity is used to help select the wire size of the electrical supply. (Minimum circuit ampacity is not the ice machine's running amp load.)

ELECTRICAL REQUIREMENTS

Refer to Ice Machine Model/Serial Plate for voltage/ amperage specifications.

- A separate fuse/circuit breaker must be provided for each ice machine.
- The wire size (or gauge) is dependent upon location, materials used, length of run, etc., so it must be determined by a qualified electrician.
- The ice machine must be grounded. Check all green ground screws in the control box and verify they are tight before starting the ice machine.
- The maximum allowable voltage variation is $\pm 10\%$ of the rated voltage at ice machine start-up (when the electrical load is highest).

Caution

Observe correct polarity of incoming line voltage. Incorrect polarity can lead to erratic ice machine operation. Operate equipment only on the type of electricity indicated on the specification plate.

GROUND FAULT CIRCUIT INTERRUPTER

Ground Fault Circuit Interrupter (GFCI/GFI) protection is a system that shuts down the electric circuit (opens it) when it senses an unexpected loss of power, presumably to ground. GFCI/GFI circuit protection is not recommended with our equipment. If code requires the use of a GFCI/GFI, then you must follow the local code. The circuit must be dedicated, sized properly and there must be a panel GFCI/GFI breaker. We do not recommend GFCI/GFI outlets as they are known for more intermittent nuisance trips than panel breakers.

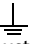
MINIMUM POWER CORD SPECIFICATIONS

Maximum Breaker Size	Minimum Wire Size	Maximum Length of Power Cord
15 amp	14 gauge	6 feet (1.83 m)
20 amp	12 gauge	6 feet (1.83 m)
30 amp	10 gauge	6 feet (1.83 m)
40 amp	8 gauge	6 feet (1.83 m)

If a power cord is used, the wire size to the receptacle is dependent upon location, materials used, length of run, etc., so it must be determined by a qualified electrician. Local, state or national requirements will supersede our minimum requirements.

FOR UNITED KINGDOM ONLY

As the colors of the wires in the mains lead of the appliance may not correspond with the colored markings identifying the terminals in your plug, proceed as follows:

- The wire which is colored **green and yellow** must be connected to the terminal in the plug which is marked with the letter E or by the earth ground symbol  or colored green or green and yellow.
- The wire colored **blue** must be connected to the terminal which is marked with the letter N or colored black.
- The wire colored **brown** must be connected to the terminal which is marked with the letter L or colored red.

Maximum Breaker Size & Minimum Circuit Amperage Chart

Important

Due to continuous improvements, this information is for reference only. Please refer to the ice machine serial number tag to verify electrical data. Serial tag information overrides information listed on this page.

Ice Machine	Voltage/Phase/ Cycle	Air-Cooled		Water-Cooled		Remote	
		Maximum Fuse/ Circuit Breaker	Minimum Circuit Amps	Maximum Fuse/ Circuit Breaker	Minimum Circuit Amps	Maximum Fuse/Circuit Breaker	Minimum Circuit Amps
K0250	115/1/60	15	9.44	N/A	N/A	N/A	N/A
	230/1/50	15	4.5	N/A	N/A	N/A	N/A
	230/1/60	15	4.7	N/A	N/A	N/A	N/A
K0350	115/1/60	15	12.1	15	11.4	N/A	N/A
	230/1/50	15	6.3	15	5.9	N/A	N/A
	230/1/60	15	6.2	15	5.8	N/A	N/A
K0420	115/1/60	15	11.3	15	10.6	N/A	N/A
	230/1/50	15	6.2	15	5.8	N/A	N/A
	230/1/60	15	6.2	15	5.8	N/A	N/A
K0500	115/1/60	20	12.7	20	12.0	N/A	N/A
	230/1/50	15	6.3	15	5.9	N/A	N/A
K0600	208-230/1/60	20	9.2	20	8.8	N/A	N/A
	230/1/50	20	8.6	20	8.2	N/A	N/A
K1000	208-230/1/60	20	13.9	20	13.2	20	12.8
	230/1/50	20	13.8	20	13.1	20	14.1
K1350	208-230/1/60	30	18.2	30	16.8	30	17.8
	208-230/3/60	20	13.6	20	12.2	20	13.2
	230/1/50	30	18.2	30	16.8	30	17.8
K1800	208-230/1/60	30	19.6	N/A	N/A	30	19.6
	208-230/60/3	20	13.3	N/A	N/A	20	12.9
	230/1/50	30	19.6	N/A	N/A	30	19.6

Water Supply and Drain Requirements

WATER SUPPLY

Local water conditions may require treatment of the water to inhibit scale formation, filter sediment, and remove chlorine odor and taste.

 **Warning**

Connect to a potable water supply only. Plumbing must conform to state, local and national codes.

WATER INLET LINES

Follow these guidelines to install water inlet lines:

- If you are installing a water filter system, refer to the installation instructions supplied with the filter system for ice making water inlet connections.
- Do not connect the ice machine to a hot water supply. Be sure all hot water restrictors installed for other equipment are working. (Check valves on sink faucets, dishwashers, etc.)
- If water pressure exceeds the maximum recommended pressure of 80 psi (552 kPa), obtain a water pressure regulator from your local distributor.
- Install a water shut-off valve for both the ice making and condenser water lines.
- Insulate water inlet lines to prevent condensation.

 **Caution**

Do not apply heat to water valve inlet fitting. This will damage plastic water inlet connection.

DRAIN CONNECTIONS

Follow these guidelines when installing drain lines to prevent drain water from flowing back into the ice machine and storage bin:

- Drain lines must have a 1.5 inch drop per 5 feet of run (2.5 cm per meter), and must not create traps.
- The floor drain must be large enough to accommodate drainage from all drains.
- Run separate bin and ice machine drain lines. Insulate them to prevent condensation.
- Vent the bin and ice machine drain to the atmosphere. Do not vent the condenser drain on water-cooled models.
- A separate auxiliary drain is located in the ice machine base to remove moisture in high humidity areas. The drain fitting is a female socket for 1/2" CPVC pipe. The drain is sealed and the seal must be removed before attaching the drain fitting/tubing. Tap the seal out with a wooden dowel or similar tool. Seal the CPVC pipe to the ice machine socket with silicone sealant to allow future removal.

Water Supply and Drain Line Sizing/Connections

Location	Water Temperature	Water Pressure	Ice Machine Fitting	Tubing Size Up to Ice Machine Fitting
Ice Making Water Inlet	35°F (2°C) Min. 90°F (32°C) Max.	20 psi (140 kPa) Min. 80 psi (552 kPa) Max.	3/8" (.95 cm) Female Pipe Thread	3/8" (.95 cm) min. inside diameter
Ice Making Water Drain	–	–	1/2" (1.27 cm) Female Pipe Thread	1/2" (1.27 cm) min. inside diameter
Condenser Water Inlet	90°F (32°C) Max.	Standard 20 psi (140 kPa) Min. 150 psi (1034 kPa) Max. High Pressure Option 20 psi (140 kPa) Min. 350 psi (2410 kPa) Max.	3/8" Female Pipe Thread	
Condenser Water Drain	–	–	1/2" (1.27 cm) Female Pipe Thread	1/2" (1.27 cm) min. inside diameter
Bin Drain	–	–	3/4" (1.91 cm) Female Pipe Thread	3/4" (1.91 cm) min. inside diameter
Large Capacity Bin Drain	–	–	1" (2.54 cm) Male Pipe Thread	1" (2.54 cm) min. inside diameter

WATER-COOLED CONDENSER WATER PRESSURE

Water pressure at the condenser cannot exceed 150 psig (1034 kPa) with the standard water-regulating valve. Contact your distributor if your water pressure is greater than 150 psig (1034 kPa). A special order condenser/water-regulating valve is available that allows water pressure up to 350 psig (2413 kPa).

Important

The Commonwealth of Massachusetts requires that all water-cooled models must be connected only to a closed loop, cooling tower system.

COOLING TOWER APPLICATIONS (WATER-COOLED MODELS)

A water cooling tower installation does not require modification of the ice machine. The water regulator valve for the condenser continues to control the refrigeration discharge pressure.

It is necessary to know the amount of heat rejection and the pressure drop through the condenser and water valves (inlet and outlet) when using a cooling tower on an ice machine.

- Water entering the condenser must not exceed 90°F (32°C).
- Water flow through the condenser must not exceed 5 gallons (19 liters) per minute.
- Allow for a pressure drop of 7 psi (50 kPa) between the condenser water inlet and the outlet of the ice machine.
- Water exiting the condenser must not exceed 110°F (43°C).

Remote Condenser/Line Set Installation

Ice Machine	Remote Single Circuit Condenser	Line Set*
K1000	KC1000	RTK-20-R410A RTK-35-R410A RTK-50-R410A
K1350	KC1350	RLK-20-R410A RLK-35-R410A RLK-50-R410A
K1800	KC1350	RLK-20-R410A RLK-35-R410A RLK-50-R410A

*Line Set	Discharge Line	Liquid Line
RTK	1/2" (1.27 cm)	5/16" (.79 cm)
RLK	1/2" (1.27 cm)	3/8" (.95 cm)

Air Temperature Around the Condenser	
Minimum	Maximum
-20°F (-29°C)	120°F (49°C)

Important

Remote systems are only approved and warranted as a complete new package. Warranty on the refrigeration system will be void if a new ice machine head section is connected to pre-existing (used) tubing or remote condensers.

REMOTE ICE MACHINE REFRIGERANT CHARGE

Each remote ice machine ships from the factory with a refrigerant charge appropriate for installation with line sets of up to 50' (15 m). The serial tag on the ice machine indicates the refrigerant charge.

Additional refrigerant may be required for installations using line sets between 50' and 100' (15-30 m) long. If additional refrigerant is required, refer to the chart below for the correct amount to be added.

Ice Machine	Refrigerant to be added for 50'-100' Line Sets
K1000	2 lbs (907g)
K1350	2 lbs (907g)
K1800	2 lbs (907g)

Important

EPA CERTIFIED TECHNICIANS

If remote line set length is between 50' and 100' (15 and 30 m), add additional refrigerant to the nameplate charge. Refer to the table below for the model being worked on.

Tubing length: _____

Refrigerant added to nameplate: _____

New total refrigerant charge: _____

Warning

Potential Personal Injury Situation

The ice machine contains refrigerant charge. Installation of the line sets must be performed by a properly trained and EPA certified refrigeration technician aware of the **dangers of dealing with refrigerant** charged equipment.

GENERAL

Condensers must be mounted horizontally with the fan motor on top with nothing obstructing it. There must be at least a 16" (41 cm) clearance from the bottom for air intake. The front coupling panel and one other panel (back or side) must also be unobstructed.

Remote condenser installations consist of vertical and horizontal line sets between the ice machine and the condenser. When combined, they must fit within approved specifications. The following guidelines, drawings and calculation methods must be followed to verify a proper remote condenser installation.

⚠ Caution

The compressor warranty (including the labor replacement warranty) will not apply if the remote ice machine is not installed according to specifications.

The warranty also will not apply if the refrigeration system is modified with a condenser, heat reclaim device, or other parts or assemblies not manufactured by us unless we specifically approved the component in writing.

WIRING

Interconnecting line voltage wiring is used to energize and de-energize the condenser fan motor.

- The remote condenser voltage matches the ice machine head section voltage.

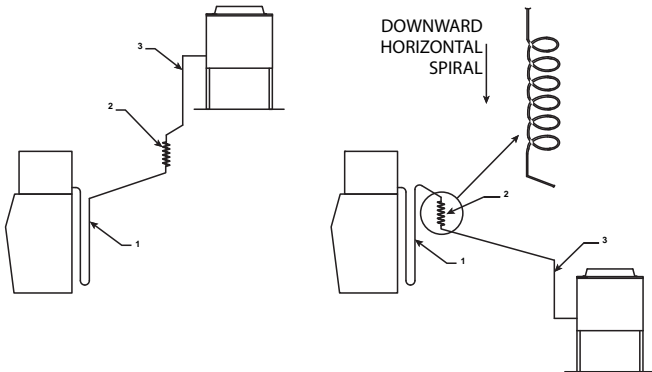
Interconnecting Wire Connections	
Ice Machine Head Section	Remote Condenser
F1	L1
F2	L2

GUIDELINES FOR ROUTING LINE SETS

First, cut a 2.5" (6.35 cm) circular hole in the wall or roof for tubing routing. The line set end with the 90° bend will connect to the ice machine. The straight end will connect to the remote condenser.

Follow these guidelines when routing the refrigerant lines. This will help ensure proper performance and service accessibility.

1. Optional - Make the service loop in the line sets (as shown in Routing Line Sets graphic). This permits easy access to the ice machine for cleaning and service. Do not use hard rigid copper at this location.
2. Required - Do not form traps in the refrigeration lines (except the service loop). Refrigerant oil must be free to drain toward the ice machine or the condenser. Route excess tubing in a supported downward horizontal spiral (as shown below). Do not coil tubing vertically.
3. Required - Keep outdoor refrigerant line runs as short as possible.



Routing Line Sets

CALCULATING REMOTE CONDENSER INSTALLATION DISTANCES

Line Set Length

The maximum length is 100' (30 m).

The ice machine compressor must have the proper oil return. The receiver is designed to hold a charge sufficient to operate the ice machine in ambient temperatures between -20°F (-29°C) and 120°F (49°C), with line set lengths of up to 100' (30 m).

Line Set Rise/Drop

The maximum rise is 35' (10.7 m).

The maximum drop is 15' (4.5 m).

⚠ Caution

If a line set has a rise followed by a drop, another rise cannot be made. Likewise, if a line set has a drop followed by a rise, another drop cannot be made.

Make the following calculations to make sure the line set layout is within specifications.

1. Insert the **measured rise** into the formula below. Multiply by 1.7 to get the **calculated rise**. (Example: A condenser located 10 feet above the ice machine has a **calculated rise** of 17 feet.)
2. Insert the **measured drop** into the formula below. Multiply by 6.6 to get the **calculated drop**. (Example: A condenser located 10 feet below the ice machine has a **calculated drop** of 66 feet.)
3. Insert the **measured horizontal distance** into the formula below. No calculation is necessary.
4. Add together the **calculated rise, calculated drop, and horizontal distance** to get the **total calculated distance**. If this total exceeds 150' (45 m), move the condenser to a new location and perform the calculations again.

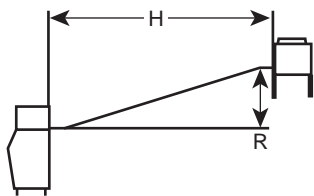
Calculated Line Set Distance

The maximum calculated distance is 150' (45 m).

Line set rises, drops, horizontal runs (or combinations of these) in excess of the stated maximums will exceed compressor start-up and design limits. This will cause poor oil return to the compressor.

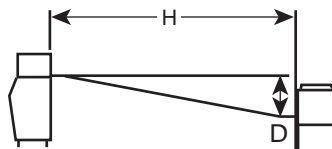
Maximum Line Set Distance Formula

Step 1.	Measured Rise (35' [10.7 m] Maximum)	_____ x 1.7	=	_____	Calculated Rise
Step 2.	Measured Drop (15' [4.5 m] Maximum)	_____ x 6.6	=	_____	Calculated Drop
Step 3.	Measured Horizontal Distance (100' [30 m] Maximum)			_____	Horizontal Distance
Step 4.	Total Calculated Distance 150' (45 m)			_____	Total Calculated Distance



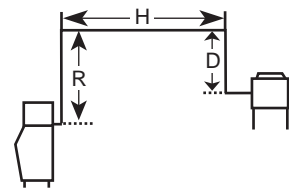
SV1196

Combination of a Rise and a Horizontal Run



SV1195

Combination of a Drop and a Horizontal Run



SV1194

Combination of a Rise, a Drop and a Horizontal Run

ROUTE THE LINE SET

- Route the line set to avoid traps and kinks.
- Minimize the amount of line set exposed on the roof.

CONNECT THE LINE SET

- Cut the line set to the correct length.
- Purge line set with dry nitrogen while brazing.
- Line set shutoff valves on the ice machine must remain closed and be protected from heat during brazing.

PRESSURE TEST AND EVACUATE LINE SET AND CONDENSER

- Lineset shutoff valves must remain closed until pressure testing and evacuation are complete.
- Pressure test @ 150 psi (1000 kPa) for a minimum of 15 minutes.
- Minimum evacuation level is 500 microns.
- Pressure test the line set and condenser with 150 psig of dry nitrogen. Add nitrogen at the line set shutoff valves located at the back of the ice machine head section. Complete the pressure test, verify no leaks are present and remove the nitrogen from the system before connecting the vacuum pump.

OPEN LINE SET VALVES

You will not hear refrigerant flow when the valves are opened. Refrigerant will not flow until the ice machine is started and the solenoid valve opens.

- All valve caps must be reinstalled, tightened and leak-checked to assure no refrigerant leakage exists.
- Counterclockwise opens all valves.

Installation Check List

- Is the Ice Machine level?
- Have all of the electrical and water connections been made?
- Has the supply voltage been tested and checked against the rating on the nameplate?
- Is there proper clearance around the ice machine for air circulation?
- Is the ice machine grounded and polarity correct?
- Has the ice machine been installed where ambient temperatures will remain in the range of 35° - 110°F (1.6° - 43.3°C)?
- Has the ice machine been installed where the incoming water temperature will remain in the range of 35° - 90°F (1.6° - 32.2°C)?
- Is there a separate drain for the potable water, bin and water-cooled condenser?
- Are the ice machine and bin drains vented?
- Are all refrigerant lines free from contact with other components?
- Are all electrical leads free from contact with refrigeration lines and moving equipment?
- Has the owner/operator been instructed regarding maintenance and the use of our Cleaner and Sanitizer?
- Has the owner/operator completed the warranty registration card?
- Has the ice machine and bin been sanitized?
- Is the ice thickness set correctly? (Refer to Operational Checks to check/set the correct ice bridge thickness).

Additional Checks for Remote Models

- Does the remote condenser fan operate properly after start-up?
- Has the remote condenser been located where ambient temperatures will remain in the range of -20° - 120°F (-29 - 49°C).
- Is the line set routed properly?
- Are both refrigeration lines to remote condenser run so they do not lay in water and are properly insulated?

Before Starting the Ice Machine

All ice machines are factory-operated and adjusted before shipment. Normally, new installations do not require any adjustment.

To ensure proper operation, follow the Operational Checks in Section 3 of this manual. Starting the ice machine and completing the Operational Checks are the responsibilities of the owner/operator.

Adjustments and maintenance procedures outlined in this manual are not covered by the warranty.

 **Warning**

Potential Personal Injury Situation

Do not operate equipment that has been misused, abused, neglected, damaged, or altered/modified from that of original manufactured specifications.

THIS PAGE INTENTIONALLY LEFT BLANK

Ice Making Sequence of Operation

NOTE: The toggle switch must be in the ICE position and the water curtain must be closed before the ice machine will start.

Water Purge Cycle

The ice machine purges any remaining water from the water trough down the drain and the refrigeration compressor starts.

Freeze Cycle

Prechill - The refrigeration system chills the evaporator before water flow over the evaporator starts. The water inlet valve energizes during the pre-chill and remains on until the Ice Thickness Float Switch is satisfied.

Freeze - Water flowing across the evaporator freezes and builds ice on the evaporator. After a sheet of ice has formed, the Harvest Float Switch signals the control board to start a harvest cycle.

Harvest Cycle

Any remaining water is purged down the drain as refrigerant gas warms the evaporator. When the evaporator warms, the sheet of cubes slides off the evaporator and into the storage bin. If all cubes fall clear of the water curtain, the ice machine starts another freeze cycle.

Full Bin Cycle

If the water curtain is held open by ice cubes, the ice machine shuts off and starts a 3-minute delay period. When the water curtain closes, the ice machine starts a new cycle at the water purge, provided the 3-minute delay period has expired.

Control Board Timers

The control board has the following non-adjustable timers:

- The ice machine is locked into the freeze cycle for 6 minutes before a harvest cycle can be initiated.
- The maximum freeze time is 60 minutes, at which time the control board automatically initiates a harvest sequence.
- The maximum harvest time is 3.5 minutes. The control board automatically initiates a freeze sequence when these times are exceeded.

SAFETY LIMITS

Safety limits are stored and indicated by the control board. The number of cycles required to stop the ice machine varies for each safety limit.

Safety limits can be reset by pressing the On/Off button and starting a new ice making cycle.

A safety limit is indicated by a flashing Service Light on the control board.

- Safety Limit 1 - If the freeze time reaches 60 minutes, the control board automatically initiates a harvest cycle. If 6 consecutive 60-minute freeze cycles occur, the ice machine stops.
- Safety Limit 2 - If the harvest time reaches 3.5 minutes, the control board automatically returns the ice machine to the freeze cycle. If 500 consecutive 3.5 minute harvest cycles occur, the ice machine stops.
- Safety Limit 3 - If the freeze time reaches 4 minutes and water is not sensed, the ice machine stops and initiates a 30 minute delay period. The ice machine will automatically restart at the end of the 30 minute delay period. If 100 consecutive failures occur, the ice machine stops.

Operational Checks

GENERAL

All ice machines are factory-operated and adjusted before shipment. Normally, new installations do not require any adjustment.

To ensure proper operation, always follow the Operational Checks:

- when starting the ice machine for the first time
- after a prolonged out-of-service period
- after cleaning and sanitizing

NOTE: Routine adjustments and maintenance procedures are not covered by the warranty.

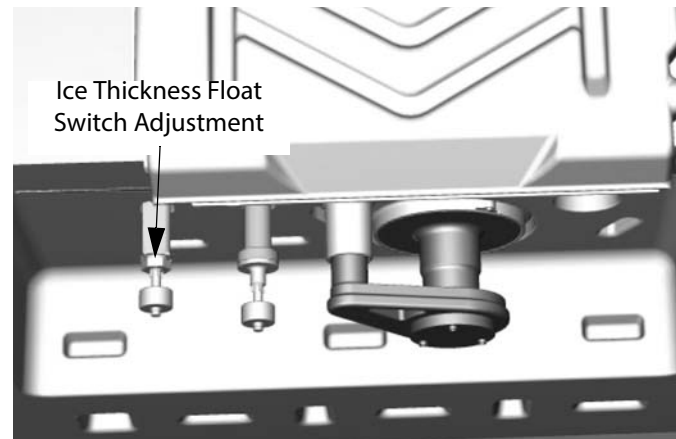
ICE THICKNESS CHECK

After a harvest cycle, inspect the ice cubes in the ice storage bin. The ice thickness float switch is factory-set to maintain the ice bridge thickness at 1/8" (3 mm).

NOTE: Make sure the water curtain is in place when performing this check. It prevents water from splashing out of the water trough.

1. Inspect the bridge connecting the cubes. It should be about 1/8" (3 mm) thick.
2. If adjustment is necessary, turn the ice thickness float switch clockwise to increase bridge thickness, counterclockwise to decrease bridge thickness. Adjust to achieve a 1/8" (3 mm) bridge thickness.

NOTE: The float can be adjusted with a 3/4" wrench while the water trough is in place. Test run two cycles to verify water level.



Cleaning and Sanitizing

GENERAL

You are responsible for maintaining the ice machine in accordance with the instructions in this manual. Maintenance procedures are not covered by the warranty.

Clean and sanitize the ice machine every six months for efficient operation. If the ice machine requires more frequent cleaning and sanitizing, consult a qualified service company to test the water quality and recommend appropriate water treatment. An extremely dirty ice machine must be taken apart for cleaning and sanitizing.

Manitowoc Ice Machine Cleaner and Sanitizer are the only products approved for use in this ice machine.

Caution

Use only approved Ice Machine Cleaner and Sanitizer for this application (Manitowoc Cleaner part number 94-0546-3 and Manitowoc Sanitizer part number 94-0565-3). It is a violation of Federal law to use these solutions in a manner inconsistent with their labeling. Read and understand all labels printed on bottles before use.

Caution

Do not mix Cleaner and Sanitizer solutions together. It is a violation of Federal law to use these solutions in a manner inconsistent with their labeling.

Warning

Wear rubber gloves and safety goggles (and/or face shield) when handling Ice Machine Cleaner or Sanitizer.

CLEANING/SANITIZING PROCEDURE

This procedure must be performed a minimum of once every six months.

- The ice machine and bin must be disassembled, cleaned and sanitized.
- All ice produced during the cleaning and sanitizing procedures must be discarded.
- Removes mineral deposits from areas or surfaces that are in direct contact with water.

PREVENTATIVE MAINTENANCE CLEANING PROCEDURE

- This procedure cleans all components in the water flow path, and is used to clean the ice machine between the bi-yearly cleaning/sanitizing procedure without removing the ice from the bin/dispenser.
- This technology will also allow initiation and completion of a clean or sanitize cycle, after which the ice machine automatically starts ice making again.

EXTERIOR CLEANING

Clean the area around the ice machine as often as necessary to maintain cleanliness and efficient operation.

Wipe surfaces with a damp cloth rinsed in water to remove dust and dirt from the outside of the ice machine. If a greasy residue persists, use a damp cloth rinsed in a mild dish soap and water solution. Wipe dry with a clean, soft cloth.

The exterior panels have a clear coating that is stain resistant and easy to clean. Products containing abrasives will damage the coating and scratch the panels.

- Never use steel wool or abrasive pads for cleaning.
- Never use chlorinated, citrus-based or abrasive cleaners on exterior panels and plastic trim pieces.

Cleaning/Sanitizing Procedure

⚠ Caution

Use only approved Ice Machine Cleaner and Sanitizer for this application (Manitowoc Cleaner part number 94-0546-3 and Manitowoc Sanitizer part number 94-0565-3). It is a violation of Federal law to use these solutions in a manner inconsistent with their labeling. Read and understand all labels printed on bottles before use.

⚠ Caution

Do not mix Cleaner and Sanitizer solutions together. It is a violation of Federal law to use these solutions in a manner inconsistent with their labeling.

⚠ Warning

Wear rubber gloves and safety goggles (and/or face shield) when handling Ice Machine Cleaner or Sanitizer.

Ice machine cleaner is used to remove lime scale and mineral deposits. Ice machine sanitizer disinfects and removes algae and slime.

Step 1 Remove the front door to access the evaporator compartment. Ice must not be on the evaporator during the clean/sanitize cycle. Set the toggle switch to the OFF position after ice falls from the evaporator at the end of a harvest cycle. Or, set the switch to OFF and allow the ice to melt off the evaporator(s).

⚠ Caution

Never use anything to force ice from the evaporator. Damage may result.

Step 2 Remove all ice from the bin/dispenser.

Step 3 Place the toggle switch in the CLEAN position. Water will flow through the water dump valve and down the drain. Wait until the water trough refills, then add the proper amount of ice machine cleaner.

Model	Amount of Cleaner
K0250 K0350 K0420	3 ounces (90 ml)
K0500 K0600 K1000	5 ounces (150 ml)
K1350 K1800	9 ounces (265 ml)

Step 4 Wait until the clean cycle is complete (approximately 24 minutes). Then disconnect power to the ice machine (and dispenser when used).

⚠ Warning

Disconnect the electric power to the ice machine at the electric service switch box.

Step 5 Remove parts for cleaning.

Please refer to the proper parts removal for your ice machine. Continue with step 6 when the parts have been removed.

Single Evaporator Ice Machines - Page 22

Step 6 Mix a solution of cleaner and lukewarm water. Depending upon the amount of mineral buildup, a larger quantity of solution may be required. Use the ratio in the table below to mix enough solution to thoroughly clean all parts.

Solution Type	Water	Mixed with
Cleaner	1 gal. (4 L)	16 oz (500 ml) cleaner

Step 7 Use 1/2 of the cleaner/water mixture to clean all components. The cleaner solution will foam when it contacts lime scale and mineral deposits; once the foaming stops use a soft-bristle nylon brush, sponge or cloth (NOT a wire brush) to carefully clean the parts. Soak parts for 5 minutes (15-20 minutes when heavily scaled). Rinse all components with clean water.

Step 8 While components are soaking, use 1/2 of the cleaner/water solution to clean all foodzone surfaces of the ice machine and bin (or dispenser). Use a nylon brush or cloth to thoroughly clean the following ice machine areas:

- Evaporator plastic parts – including top, bottom and sides
- Bin bottom, sides and top

Rinse all areas thoroughly with clean water.

SANITIZING PROCEDURE

Step 9 Mix a solution of sanitizer and lukewarm water.

Solution Type	Water	Mixed with
Sanitizer	3 gal. (12 L)	2 oz (60 ml) sanitizer

Step 10 Use 1/2 of the sanitizer/water solution to sanitize all removed components. Use a spray bottle to liberally apply the solution to all surfaces of the removed parts or soak the removed parts in the sanitizer/water solution. Do not rinse parts after sanitizing.

Step 11 Use 1/2 of the sanitizer/water solution to sanitize all foodzone surfaces of the ice machine and bin (or dispenser). Use a spray bottle to liberally apply the solution. When sanitizing, pay particular attention to the following areas:

- Evaporator plastic parts - including top, bottom and sides
- Ice machine base (top of bin) and area above the water trough
- Bin sides and bottom

Do not rinse the sanitized areas.

Step 12 Replace all removed components.

Step 13 Wait 25 minutes.

Step 14 Reapply power to the ice machine and place the toggle switch in the CLEAN position.

Step 15 Wait until the water trough refills, then add the proper amount of Manitowoc Ice Machine Sanitizer to the water trough.

Model	Amount of Sanitizer
K0250 K0350 K0420 K0500 K0600 K1000	3 ounces (90 ml)
K1350 K1800	6 ounces (180 ml)

Step 16 After the sanitize cycle is complete (approximately 24 minutes) move the toggle switch to the ICE position to start ice making.

Parts Removal for Cleaning/Sanitizing

Single Evaporator Ice Machines

A. Remove the water curtain

- Gently flex the curtain in the center and remove it from the right side.
- Slide the left pin out.

B. Remove the water trough

- Depress tabs on right and left side of the water trough.
- Allow front of water trough to drop as you pull forward to disengage the rear pins.

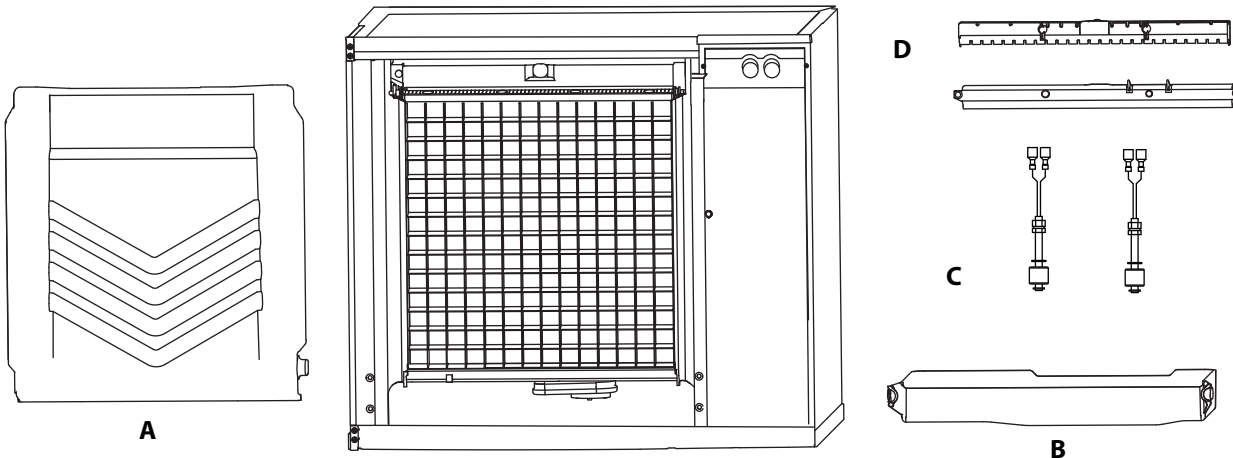
C. Remove the ice thickness and harvest float switches

- Pull the float switch straight down to disengage.
- Lower the float switch until the wiring connector is visible.
- Disconnect the wire lead from the float switch.
- Remove the float switch from the ice machine.

D. Remove the water distribution tube

NOTE: Distribution tube thumbscrews are retained to prevent loss. Loosen thumbscrews but do not pull thumbscrews out of distribution tube.

- Loosen the two outer screws (do not remove screws completely they are retained to prevent loss) and pull forward on the distribution tube to release from slip joint.
- Disassemble distribution tube by loosening the two (2) middle thumbscrews and dividing the distribution tube into two pieces.
- Proceed to Page 21 Step 6.



Preventative Maintenance Cleaning Procedure

This procedure cleans all components in the water flow path, and is used to clean the ice machine between the bi-yearly cleaning/sanitizing procedure.

Ice machine cleaner is used to remove lime scale and mineral deposits. Ice machine sanitizer disinfects and removes algae and slime.

NOTE: Although not required and dependent on your installation, removing the ice machine top cover may allow easier access.

Step 1 Ice must not be on the evaporator during the clean/sanitize cycle. Follow one of the methods below:

- Move the toggle switch to the OFF position at the end of a harvest cycle after ice falls from the evaporator(s).
- Move the toggle switch to the OFF position and allow the ice to melt.

Caution

Never use anything to force ice from the evaporator. Damage may result.

Step 2 Open the front door and move the toggle switch to the CLEAN position. Wait until the water trough refills (approximately 1 minute) and then add the proper amount of Ice Machine Cleaner to the water trough.

Model	Amount of Cleaner
K0250 K0350 K0420	3 ounces (90 ml)
K0500 K0600 K1000	5 ounces (150 ml)
K1350 K1800	9 ounces (265 ml)

Step 3 After 1 minute place the toggle switch in the ICE position and close and secure the front door. The ice machine will automatically start ice making after the Clean cycle is complete (approximately 24 minutes).

Door Removal

1. Use a Phillips screwdriver to loosen the two screws securing the door. Do not remove, they are retained to prevent loss.
2. Tilt door forward and lift up to remove.

Cleaning the Condenser Filter

The washable filter on self-contained ice machines is designed to catch dust, dirt, lint and grease. Clean the filter with a mild soap and water.

Cleaning the Condenser

Warning

Disconnect electric power to the ice machine head section and the remote condensing unit at the electric service switches before cleaning the condenser.

A dirty condenser restricts airflow, resulting in excessively high operating temperatures. This reduces ice production and shortens component life.

- Clean the condenser at least every six months.

Warning

The condenser fins are sharp. Use care when cleaning them.

- Shine a flashlight through the condenser to check for dirt between the fins.
- Blow compressed air or rinse with water from the inside out (opposite direction of airflow).
- If dirt still remains call a service agent to clean the condenser.

Removal from Service/Winterization

1. Clean and sanitize the ice machine.
2. Move the toggle switch to the OFF position and turn off the ice machine.
3. Turn off the water supply, disconnect and drain the incoming ice-making water line at the rear of the ice machine and drain the water trough.
4. Energize the ice machine, wait one minute for the water inlet valve to open and blow compressed air in both the incoming water and the drain openings in the rear of the ice machine to remove all water.
5. Move the toggle switch to the OFF position and turn off the ice machine. Disconnect the electric power at the circuit breaker or the electric service switch.
6. Fill spray bottle with sanitizer/water solution and spray all interior food zone surfaces. Do not rinse and allow to air dry.
7. Replace all panels.

WATER-COOLED ICE MACHINES

1. Perform steps 1-6 under "Removal from Service/Winterization".
2. Disconnect the incoming water and drain line from the water-cooled condenser.
3. Energize the ice machine in the freeze cycle. The increasing refrigerant pressure will open the water regulating valve.
4. Blow compressed air through the condenser until no water remains.
5. Replace all panels.

Checklist

If a problem arises during operation of your ice machine, follow the checklist below before calling service. Routine adjustments and maintenance procedures are not covered by the warranty.

Problem	Possible Cause	To Correct
Ice machine does not operate.	No electrical power to the ice machine.	Replace the fuse/reset the breaker/turn on the main switch/plug power cord into receptacle.
	Ice machine needs to be turned on.	Place the toggle switch in the ICE position to start ice making.
	Curtain in open position (down).	Curtain must be in the closed position and capable of swinging freely.
Ice machine stops, and can be restarted by turning the ice machine OFF and then ON.	Safety limit feature stopping the ice machine.	Refer to "Safety Limit Feature" on the next page.
Ice sheet is thick	Water trough level is too high.	Adjust ice thickness float.
	Power button was turned off/on during freeze cycle and ice remained on evaporator.	Allow ice to thaw and release from evaporator, then restart.
	Ice damper was opened then closed in the harvest cycle before the ice released.	Allow ice to thaw and release from evaporator, then restart.
Ice machine does not release ice or is slow to harvest.	Ice machine is dirty.	Clean and sanitize the ice machine.
	Ice machine is not level.	Level the ice machine.
	Low air temperature around ice machine (air-cooled models).	Air temperature must be at least 40°F (4°C).
	Water regulating valve leaks in harvest mode (water-cooled models).	Replace water regulating valve.
Ice machine does not cycle into harvest mode.	The six-minute freeze time lock-in has not expired yet.	Wait for freeze lock-in to expire.
	Ice thickness float switch is dirty.	Clean and sanitize the ice machine.
	Ice thickness float switch wire is disconnected.	Connect the wire.
	Ice thickness float switch is out of adjustment.	Adjust the ice thickness float switch.
	Uneven ice fill (thin at top of evaporator).	See "Shallow or Incomplete Cubes" on the next page.
Ice quality is poor (soft or not clear).	Poor incoming water quality.	Contact a qualified service company to test the quality of the incoming water and make appropriate filter recommendations.
	Water filtration is poor.	Replace the filter.
	Ice machine is dirty.	Clean and sanitize the ice machine.
	Water softener is working improperly (if applicable).	Repair the water softener.

Continued on next page...

Problem	Possible Cause	To Correct
Ice machine produces shallow or incomplete cubes, or the ice fill pattern on the evaporator is incomplete.	Ice thickness float switch is out of adjustment.	Adjust the ice thickness float switch.
	Water trough level is too high or too low.	Check the water level and adjust if required.
	Water filtration is poor.	Replace the filter.
	Hot incoming water.	Connect the ice machine to a cold water supply.
	Incorrect incoming water pressure.	Water pressure must be 20-80 psi (137.9 - 551.5 kPa).
	Ice machine is not level.	Level the ice machine.
Low ice capacity.	The condenser is dirty.	Clean the condenser.
	High air temperature around ice machine (air-cooled models).	Air temperature must not exceed 110°F (43°C).
	Inadequate clearance around the ice machine.	Provide adequate clearance.
	Objects stacked around ice machine, blocking airflow to condenser (air-cooled models).	Remove items blocking airflow.
	Hot incoming water.	Connect the ice machine to a cold water supply.
	Incorrect incoming water pressure. Water pressure is too low or water filter is restricted.	Water pressure must be 20-80 psi (137.9 - 551.5 kPa). Refer to Section 2 for plumbing requirements. Replace water filter.

Safety Limit Feature

In addition to the standard safety controls, such as the high pressure cutout, your ice machine features built-in safety limits which will stop the ice machine if conditions arise which could cause a major component failure.

Refer to Safety Limits Section 3 for more information on safety limits.

Before calling for service, re-start the ice machine using the following procedure:

1. Move the toggle switch to OFF, then the ICE position,
 - A. If the safety limit feature has stopped the ice machine, it will restart after a short delay. Proceed to step 2.
 - B. If the ice machine does not restart, see "Ice machine does not operate" on the previous page.
2. Allow the ice machine to run to determine if the condition repeats.
 - A. If the ice machine stops again, the condition has repeated. Call for service.
 - B. If the ice machine continues to run, the condition has corrected itself. Allow the ice machine to continue running.

Commercial Ice Machine Warranty

The Koolaire brand warranty is administered through Manitowoc Ice (hereinafter referred to as the "COMPANY") warrants for a period of thirty six (36) months from the installation date (except as limited below) that new ice machines manufactured by the COMPANY shall be free of defects in material or workmanship under normal and proper use and maintenance as specified by the COMPANY and upon proper installation and start-up in accordance with the instruction manual supplied with the ice machine.

The COMPANY's warranty hereunder with respect to the compressor shall apply for an additional twenty-four months, excluding all labor charges, and with respect to the evaporator for an additional twenty-four months, including labor charges.

The obligation of the COMPANY under this warranty is limited to the repair or replacement of parts, components, or assemblies that in the opinion of the COMPANY are defective. This warranty is further limited to the cost of parts, components or assemblies and standard straight time labor charges at the servicing location.

Time and hourly rate schedules, as published from time to time by the COMPANY, apply to all service procedures. Additional expenses including without limitation, travel time, overtime premium, material cost, accessing or removal of the ice machine, or shipping are the responsibility of the owner, along with all maintenance, adjustments, cleaning, and ice purchases. Labor covered under this warranty must be performed by a COMPANY Contracted Service Representative or a refrigeration service agency as qualified and authorized by the COMPANY's local Distributor. The COMPANY's liability under this warranty shall in no event be greater than the actual purchase price paid by customer for the ice machine.

The foregoing warranty shall not apply to (1) any part or assembly that has been altered, modified, or changed; (2) any part or assembly that has been subjected to misuse, abuse, neglect, or accidents; (3) any ice machine that has been installed and/or maintained inconsistent with the technical instructions provided by the COMPANY; or (4) any ice machine initially installed more than five years from the serial number production date. This warranty shall not apply if the Ice Machine's refrigeration system is modified with a condenser, heat reclaim device, or parts and assemblies other than those manufactured by the COMPANY, unless the COMPANY approves these modifications for specific locations in writing.

THIS WARRANTY IS IN LIEU OF ALL OTHER WARRANTIES OR GUARANTEES OF ANY KIND, EXPRESSED OR IMPLIED, INCLUDING ANY IMPLIED WARRANTY OF MERCHANTABILITY OR FITNESS FOR A PARTICULAR PURPOSE. In no event shall the COMPANY be liable for any special, indirect, incidental or consequential damages. Upon the expiration of the warranty period, the COMPANY's liability under this warranty shall terminate. The foregoing warranty shall constitute the sole liability of the COMPANY and the exclusive remedy of the customer or user.

To secure prompt and continuing warranty service, the warranty registration card must be completed and sent to the COMPANY within five (5) days from the installation date.

Complete the following and retain for your record:

Distributor/Dealer _____

Model Number Serial Number _____

Installation Date _____

Manitowoc Foodservice-Ice Machine Division

2110 South 26th Street, P.O. Box 1720

Manitowoc, WI 54221-1720

Telephone: 920-682-0161

Fax: 920-683-7585

Website: www.kool-aire.com

Residential Ice Machine Limited Warranty

WHAT DOES THIS LIMITED WARRANTY COVER?

Subject to the exclusions and limitations below, Manitowoc Foodservice ("Manitowoc") warrants to the original consumer that any new ice machine manufactured by Manitowoc (the "Product") shall be free of defects in material or workmanship for the warranty period outlined below under normal use and maintenance, and upon proper installation and start-up in accordance with the instruction manual supplied with the Product.

HOW LONG DOES THIS LIMITED WARRANTY LAST?

<u>Product Covered</u>	<u>Warranty Period</u>
Ice Machine	Twelve (12) months from the sale date

WHO IS COVERED BY THIS LIMITED WARRANTY?

This limited warranty only applies to the original consumer of the Product and is not transferable.

WHAT ARE MANITOWOC ICE'S OBLIGATIONS UNDER THIS LIMITED WARRANTY?

If a defect arises and Manitowoc receives a valid warranty claim prior to the expiration of the warranty period, Manitowoc shall, at its option: (1) repair the Product at Manitowoc's cost, including standard straight time labor charges, (2) replace the Product with one that is new or at least as functionally equivalent as the original, or (3) refund the purchase price for the Product. Replacement parts are warranted for 90 days or the balance of the original warranty period, whichever is longer. The foregoing constitutes Manitowoc's sole obligation and the consumer's exclusive remedy for any breach of this limited warranty. Manitowoc's liability under this limited warranty is limited to the purchase price of Product. Additional expenses including, without limitation, service travel time, overtime or premium labor charges, accessing or removing the Product, or shipping are the responsibility of the consumer.

HOW TO OBTAIN WARRANTY SERVICE

To obtain warranty service or information regarding your Koolaire product, please contact:

MANITOWOC ICE
2110 So. 26th St.
P.O. Box 1720,
Manitowoc, WI 54221-1720
Telephone: 920-682-0161 Fax: 920-683-7585
www.kool-aire.com

WHAT IS NOT COVERED?

This limited warranty does not cover, and you are solely responsible for the costs of: (1) periodic or routine maintenance, (2) repair or replacement of the Product or parts due to normal wear and tear, (3) defects or damage to the Product or parts resulting from misuse, abuse, neglect, or accidents, (4) defects or damage to the Product or parts resulting from improper or unauthorized alterations, modifications, or changes; and (5) defects or damage to any Product that has not been installed and/or maintained in accordance with the instruction manual or technical instructions provided by Manitowoc. To the extent that warranty exclusions are not permitted under some state laws, these exclusions may not apply to you.

EXCEPT AS STATED IN THE FOLLOWING SENTENCE, THIS LIMITED WARRANTY IS THE SOLE AND EXCLUSIVE WARRANTY OF MANITOWOC WITH REGARD TO THE PRODUCT. ALL IMPLIED WARRANTIES ARE STRICTLY LIMITED TO THE DURATION OF THE LIMITED WARRANTY APPLICABLE TO THE PRODUCTS AS STATED ABOVE, INCLUDING BUT NOT LIMITED TO, ANY WARRANTY OF MERCHANTABILITY OR OF FITNESS FOR A PARTICULAR PURPOSE.

Some states do not allow limitations on how long an implied warranty lasts, so the above limitation may not apply to you.

IN NO EVENT SHALL MANITOWOC OR ANY OF ITS AFFILIATES BE LIABLE TO THE CONSUMER OR ANY OTHER PERSON FOR ANY INCIDENTAL, CONSEQUENTIAL OR SPECIAL DAMAGES OF ANY KIND (INCLUDING, WITHOUT LIMITATION, LOSS PROFITS, REVENUE OR BUSINESS) ARISING FROM OR IN ANY MANNER CONNECTED WITH THE PRODUCT, ANY BREACH OF THIS LIMITED WARRANTY, OR ANY OTHER CAUSE WHATSOEVER, WHETHER BASED ON CONTRACT, TORT OR ANY OTHER THEORY OF LIABILITY.

Some states do not allow the exclusion or limitation of incidental or consequential damages, so the above limitation or exclusion may not apply to you.

HOW STATE LAW APPLIES

This limited warranty gives you specific legal rights, and you may also have rights that vary from state to state or from one jurisdiction to another.

REGISTRATION CARD

To secure prompt and continuing warranty service, this warranty registration card must be completed and sent to Manitowoc within thirty (30) days from the sale date. Complete the following registration card and send it to Manitowoc.

Limited Warranty for Ice Storage Bins

LIMITED WARRANTY

Koolaire®, a division of Manitowoc FSG Operations, LLC (“Company”), warrants the new Ice Storage Bin sold by Company shall be free of defects in material or workmanship under normal and proper use and maintenance as specified by the Company and upon proper installation and start-up in accordance with the instruction manual.

WHAT IS COVERED

- Parts and Labor for a period of thirty six (36) months.

The Ice Storage Bin Warranty begins on the date of the original installation. This Warranty shall not apply to any Ice Storage Bin initially installed more than five (5) years from the serial number production date.

The obligation of the Company under this Warranty is limited to the repair or replacement of parts, components, or assemblies that in the sole opinion of the Company are defective. This Warranty is further limited to the cost of parts, components or assemblies and standard straight time labor charges at the servicing location.

Time and hourly rate schedules as published from time to time by the Company apply to all service procedures. Additional expenses including without limitation, travel time, overtime premium, material costs, accessing or removal of the Ice Storage Bin or shipping are the responsibility of the Purchasers, along with all maintenance, adjustments, cleaning and ice purchase. Labor covered under this Warranty must be performed by an approved Company contracted Service Representative or a refrigeration service agency as qualified and authorized by the Company’s local Distributor. Company’s liability under this Warranty shall in no event be greater than the actual purchase price paid by the purchaser for the Ice Storage Bin.

EXCLUSIONS FROM COVERAGE

Repair or replacement of parts required because of misuse, improper care or storage, negligence, alteration, use of incompatible supplies or lack of specified maintenance shall be excluded.

- Normal maintenance items. Failures caused by adverse environmental, water conditions or improper drainage.
- Improper or unauthorized repair
- Any Ice Storage Bin that has been installed and or maintained inconsistent with the instructions provided by the Company
- Parts subject to damage beyond the control of the Company, or to the Ice Storage Bin’s which have been subject to accidents, damage in shipment, fire, floods, other hazards acts of God that are beyond the control of the Company.
- This Limited Warranty shall not apply if the Ice Storage Bin is modified with parts and assemblies other than those manufactured by the Company, unless the Company approves these modifications for specific locations in writing prior to the commencement of the modification.

LIMITATIONS OF LIABILITY

The preceding paragraphs set forth the exclusive remedy for all claims based on failure of, or defect in, Ice Storage Bins sold hereunder, whether the failure or defect arises before or during the Warranty period and whether a claim, however instituted, is based on contract, indemnity, Warranty, tort (including negligence), strict liability, implied by statute, common-law or otherwise, and Company and agents shall not be liable for any claims for personal injuries or consequential damages or loss, howsoever caused. Upon the expiration of the Warranty period, all such liability shall terminate. THE FOREGOING WARRANTIES ARE EXCLUSIVE AND IN LIEU OF ALL OTHER WARRANTIES, WHETHER WRITTEN, ORAL, IMPLIED OR STATUTORY. NO IMPLIED WARRANTY OF MERCHANTABILITY OR FITNESS FOR PARTICULAR PURPOSE SHALL APPLY; COMPANY DOES NOT WARRANTY ANY PRODUCTS OR SERVICES OF OTHERS.

REMEDIES

The liability of Company for breach of any Warranty obligation hereunder is limited to: (i) the repair or replacement of the Ice Storage Bin on which the liability is based, or with respect to services, re-performance of the services; or (ii) at Company’s option, the refund of the amount paid for the said equipment or services. Any breach by Company with respect to any item or unit or equipment or services shall be deemed a breach with respect to any item or unit of equipment or services shall be deemed a breach with respect to that item or unit or service only.

WARRANTY CLAIM PROCEDURE

Customer shall be responsible to:

- Complete and return Warranty registration card or register on line within five (5) days from the installation date.

All Warranty service must be performed by an approved Koolaire contracted or authorized Service Representative.

To schedule a service appointment contact your local Koolaire Service Representative or visit us at www.kool-aire.com to find a Service Representative near you.

GOVERNING LAW

This Limited Warranty shall be governed by the laws of the state of Wisconsin, USA, excluding their conflicts of law principles. The United Nations Convention on Contracts for the International Sale of Goods is hereby excluded in its entirety from application to this Limited Warranty.

For factory assistance contact:

Manitowoc Foodservice-Ice Machine Division

2110 South 26th Street, P.O. Box 1720

Manitowoc, WI 54221-1720

Telephone: 920-682-0161

Fax: 920-683-7585

Website: www.kool-aire.com

Section 1

Informations générales

Numéros de modèle	30
Déflecteur de glaçons	30
Installation du bac	30

Section 2

Instructions d'installation

Emplacement de la machine à glace	31
Exigences de dégagement	31
Rejet de chaleur de la machine à glace	32
Retrait du bouchon de vidange et mise à niveau du bac de stockage de glaçons	32
Chicane d'air	32
Service électrique	33
Courant admissible minimum de circuit	33
Caractéristiques électriques	33
Disjoncteur de fuite de terre	33
Spécifications minimales de cordon d'alimentation	33
Royaume-uni uniquement	33
Tableau des calibres maximums de disjoncteur et d'intensité de courant minimale du circuit	34
Conditions requises d'alimentation en eau et d'évacuations	35
Alimentation en eau	35
Lignes d'arrivée d'eau	35
Raccordements d'évacuation	35
Dimensionnement/Raccordements des conduites d'alimentation en eau et d'évacuation	36
Pression d'eau du condenseur refroidi à l'eau	36
Applications avec tour de refroidissement (Modèles refroidis-à l'eau)	36
Installation de condenseur à distance/de conduites	37
Charge de liquide frigorigène de la machine à glaçons à distance	37
Généralités	38
Câblage	38
Directives pour acheminement des conduites	38
Calculer les distances d'installation de condenseur à distance	39
Acheminer les conduites	40
Raccordement des conduites	40
Effectuer un test de pression et purger les conduites et le condenseur	40
Ouvrir les vannes des conduites	40
Liste de vérification d'installation	41
Contrôles additionnels pour modèles à distance	41
Avant la mise en marche de la machine à glaçons	41

**Section 3
Fonctionnement**

Séquence de fabrication des glaçons	43
Limites de sécurité	43
Vérification de fonctionnement	44
Généralités	44
Vérification de l'épaisseur des glaçons	44

**Section 4
Entretien**

Nettoyage et désinfection	45
Généralités	45
Procédure de nettoyage et de désinfection	45
Procédure de nettoyage pour l'entretien préventif	45
Nettoyage de l'extérieur	45
Procédure de nettoyage et de désinfection	46
Procédure de désinfection	47
Retrait des pièces pour le nettoyage/la désinfection	48
Procédure de nettoyage pour l'entretien préventif	49
Retrait des portes	49
Nettoyage du filtre du condenseur	49
Nettoyage du condenseur	49
Mise hors service/hiverisation	50
Machines à glaçons refroidies à l'eau	50

**Section 5
Soutien à la clientèle**

Liste de vérification	51
Fonction de limite de sécurité	52

 **Avertissement**

Suivre ces précautions pour éviter des blessures corporelles :

- Retirer tous les panneaux avant de la soulever ou de l'installer.
- Pour lever ou déplacer cet appareil, il est nécessaire de faire appel à deux personnes ou plus ou d'utiliser un appareil de levage pour éviter des blessures ou un basculement.
- Ne pas endommager le circuit de réfrigération lors de l'installation, de la maintenance ou de la réparation de l'appareil.
- Ne pas obstruer la ventilation ou les ouvertures, ou stocker de l'essence ou autres vapeurs ou liquides inflammables à proximité de cet appareil ou de tout autre appareil.
- Il incombe au propriétaire de l'appareil d'effectuer une analyse des risques pour déterminer l'équipement de protection individuel nécessaire et s'assurer que la protection est suffisante pendant les procédures de maintenance.
- Ne pas faire fonctionner un appareil ayant fait l'objet d'une mauvaise utilisation, ayant été négligé, endommagé, altéré ou modifié par rapport aux caractéristiques d'origine de fabrication. Cet appareil n'a pas été conçu pour être utilisé par des personnes (y compris des enfants) aux capacités physiques, sensorielles ou mentales réduites ou n'ayant pas une expérience ou des connaissances suffisantes, sauf si elles sont supervisées par une personne responsable de leur sécurité. Ne pas permettre à des enfants de jouer avec cet appareil.
- Les machines à glaçons requièrent un déflecteur lorsqu'elles sont installées sur un bac de stockage de glaçons. Avant d'utiliser un système de stockage de glaçons avec cette machine à glaçons, contacter le fabricant pour s'assurer que leur déflecteur de glaçons est compatible avec cette machine à glaçons.
- Cet appareil est soumis à des tensions électriques et des charges de réfrigérant élevées. L'installation et les réparations doivent être exécutées par des techniciens ayant une formation adaptée et conscients des dangers propres aux tensions électriques élevées et aux charges de réfrigérant sous pression. Le technicien doit être également certifié dans le secteur de la manipulation de liquides frigorigènes et les procédures d'entretien. Toutes les procédures de condamnation et d'identification doivent être suivies lors d'une intervention sur cet appareil.
- Les objets placés ou échappés dans le bac peuvent affecter la santé et la sécurité des personnes. Repérer et enlever tout objet immédiatement.

 **Avertissement**

Lors de l'utilisation d'appareils électriques, il est nécessaire de toujours suivre des précautions élémentaires, notamment les suivantes :

- Lire toutes les instructions avant d'utiliser l'appareil.
- Pour réduire tout risque de blessure, une étroite supervision est nécessaire lorsqu'on utilise l'appareil près d'enfants.
- Éviter de toucher aux pièces en mouvement.
- Ne pas utiliser d'appareils ou accessoires électriques autres que ceux fournis par le fabricant.
- Éviter d'utiliser l'appareil à l'extérieur.
- Tous les couvercles et panneaux d'accès doivent être en place et convenablement fermés avant toute utilisation de cet appareil.
- Brancher uniquement dans une prise convenablement mise à la terre.
- Pour un appareil branché à l'aide d'un cordon, il est nécessaire de prendre les précautions suivantes :
 - A. Éviter de le débrancher en tirant sur le cordon. Pour débrancher, saisir la prise et non le cordon.
 - B. Débrancher l'appareil lorsqu'il n'est pas utilisé et avant d'intervenir sur l'appareil ou de le nettoyer.
 - C. Ne pas faire fonctionner l'appareil avec un une prise ou un cordon endommagé ou après un dysfonctionnement ou une chute, ou bien après qu'il ait subi des dommages, quels qu'ils soient. Contacter le centre de maintenance et de réparation agréé le plus proche pour une inspection, une réparation ou un réglage électrique ou mécanique.

Numéros de modèle

Ce manuel couvre les modèles suivants :

Autonome refroidi à l'air	Autonome refroidi à l'eau	À distance
KD0250A KY0250A	---- ----	---- ----
KD0350A KY0350A	KD0350W KY0350W	---- ----
KD0420A KY0420A	KD0420W KY0420W	---- ----
KD0500A KY0500A	KD0500W KY0500W	---- ----
KD0600A KY0600A	KD0600W KY0600W	---- ----
KD1000A KY1000A	KD1000W KY1000W	KY1000N KD1000N
KD1350A KY1350A	KD1350W KY1350W	KY1350N KD1350N

DÉFLECTEUR DE GLAÇONS

Un déflecteur est requis pour toutes les machines à glaçons installées sur un bac. Un déflecteur n'est pas requis pour les machines à glaçons installées sur un distributeur.

INSTALLATION DU BAC

- Toutes les machines à glaçons installées sur un bac requièrent un déflecteur de glaçons.
- Les bacs Koolaire sont équipés d'un déflecteur et ne nécessitent aucune modification lorsqu'ils sont utilisés avec un évaporateur tourné vers l'avant.
- Aligner les côtés et l'arrière de la machine à glaçons avec les côtés et l'arrière du bac lorsque la machine à glaçons est placée sur le bac.

Emplacement de la machine à glace

L'emplacement sélectionné pour la machine à glace doit remplir les critères suivants. Si l'un quelconque de ces critères n'est pas rempli, sélectionnez un autre emplacement.

- L'emplacement doit être exempt de tout contaminant atmosphérique ou d'une autre nature.
- La température de l'air doit être d'au moins 1,6 °C (35 °F) sans toutefois dépasser 43,4 °C (110 °F).
- Refroidissement à l'air à distance - La température de l'air doit être au moins de -29 °C (-20 °F) sans toutefois excéder 49 °C (120 °F).
- L'emplacement ne doit pas se trouver à proximité d'appareils générateurs de chaleur (fours, lave-vaisselles, etc.) ou à la lumière directe du soleil, et doit être protégé des intempéries.
- L'emplacement ne doit pas obstruer la circulation de l'air dans la machine ou autour de celle-ci. Vous reporter au tableau sur les exigences de dégagement.

Ces machines à glaçons sont prévues pour être utilisées dans des applications telles que :

- Les cuisinettes d'employés dans des magasins, des bureaux et autres milieux de travail
- Les clients des hôtels, des motels, des auberges, des chambres d'hôtes et autres milieux de type résidentiel
- Restauration et applications similaires non au détail

Avertissement

Pour lever cet appareil, il est nécessaire de faire appel à au moins deux personnes ou d'utiliser un appareil de levage.

Exigences de dégagement

Avertissement

Ne pas obstruer les ouvertures ni les orifices de la machine à glaçons.

K0250	Autonome refroidi à l'air	Autonome refroidi à l'eau*
Haut/côtés	30,5 cm (12 po)**	---
Arrière	12,7 cm (5 po)**	---

K0350/K0420 K0500/K0600/ K1000/K1350/ K1800	Autonome refroidi à l'air	Refroidi à l'eau et à distance*
Haut/côtés	20,3 cm (8 po)**	20,3 cm (8 po)**
Arrière	12,7 cm (5 po)**	12,7 cm (5 po)**

K0420 Classe Tropiques 50 Hz seulement	Autonome refroidi à l'air	Refroidi à l'eau*
Haut	61,0 cm (24 po)**	20,3 cm (8 po)**
Côtés	30,5 cm (12 po)**	20,3 cm (8 po)**
Arrière	12,7 cm (5 po)**	12,7 cm (5 po)**

K1000 Classe Tropiques 50 Hz seulement	Autonome refroidi à l'air	Refroidi à l'eau et à distance*
Haut	30,5 cm (12 po)**	20,3 cm (8 po)**
Côtés	20,3 cm (8 po)**	20,3 cm (8 po)**
Arrière	12,7 cm (5 po)**	12,7 cm (5 po)**

* Il n'y a aucun dégagement minimal requis pour les machines à glaçons refroidies à l'eau ou à distance. Cette valeur est recommandée uniquement pour un fonctionnement et un entretien efficaces.

** Indique des données préliminaires

Attention

La machine à glaçons doit être protégée si elle est susceptible d'être soumise à des températures inférieures à 0 °C (32 °F). Toute défaillance due à une exposition à des températures inférieures à 0 °C n'est pas couverte par la garantie.

Rejet de chaleur de la machine à glace

Série Machine à glaçons	Chaleur de rejet ¹	
	Conditionnement d'air ²	Pointe
K0250	4600	5450
K0350	3800	6000
K0420	5400	6300
K0500	5300	6100
K0600	9000	13900
K1000	16250	18600
K1350	28300	34300
K1800	28500	34700

¹ B.T.U./Heure

² Étant donné que la chaleur de rejet varie durant le cycle de fabrication de glaçons, la figure illustrée est une moyenne.

Les machines à glace, comme d'autres appareils de réfrigération, rejettent de la chaleur à travers le condenseur. Il est utile de connaître la quantité de chaleur rejetée par la machine à glace lorsqu'on évalue la taille d'un matériel de climatisation dans un endroit où des machines à glace autonomes et refroidies par air sont installées.

Cette information est également nécessaire pour évaluer les avantages d'utiliser des condenseurs refroidis à l'eau ou à distance afin de réduire les charges de conditionnement de l'air. La quantité de chaleur ajoutée à un environnement climatisé par une machine à glaçons utilisant un condenseur refroidi à l'eau ou à distance est négligeable.

Connaître la quantité de chaleur rejetée est également important lors du dimensionnement d'une tour de refroidissement pour un condenseur refroidi à l'eau. Utiliser le chiffre de crête pour dimensionner la tour de refroidissement.

Retrait du bouchon de vidange et mise à niveau du bac de stockage de glaçons

Avertissement

Afin d'éviter toute instabilité, le bac/distributeur doit être installé dans un endroit pouvant supporter le poids du bac/distributeur, de la machine à glaçons ainsi que d'un bac plein de glaçons (modèles 48 po : 454 kg [1000 lb], modèles 30 po : 340 kg [750 lb]). Le bac/distributeur doit être de niveau d'un côté à l'autre et d'en avant à en arrière avant d'installer la machine.

1. Retirer le bouchon fileté du raccord de vidange.
2. Visser les pattes de nivellement sur le dessous du bac.
3. Vissez chaque pied à fond.

Attention

Les pieds doivent être bien serrés pour les empêcher de se déformer.

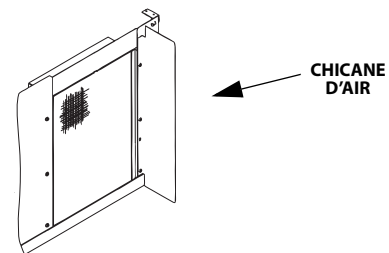
4. Déplacer le bac dans sa position définitive.
5. Nivelier le bac pour s'assurer que la porte du bac se ferme bien hermétiquement et que la machine à glaçons fonctionne correctement. Utiliser un niveau sur le dessus du bac. Tourner la base de chaque pied pour nivelier le bac, le cas échéant.
6. Inspecter le joint de bac avant l'installation de la machine à glaçons. (Nos bacs sont livrés avec un joint en plastique à alvéoles fermés installé le long de la surface supérieure du bac.)
7. Retirer tous les panneaux de la machine à glaçons avant de la soulever et de l'installer sur le bac. Enlever le panneau avant, le couvercle supérieur, les panneaux gauche et droit.

Chicane d'air

Autonome refroidi à l'air uniquement

La chicane refroidie à l'air empêche l'air du condenseur de recirculer. Installation :

1. Desserrer les vis du panneau arrière à proximité du condenseur.
2. Aligner les rainures de boutonnière de la chicane d'air avec les trous de vis et glisser la chicane vers le bas pour verrouiller en place.



Service électrique

Avertissement

Tous les travaux électriques, notamment l'acheminement et la mise à la terre des câbles, doivent être conformes à tous les codes de l'électricité locaux et nationaux applicables.

COURANT ADMISSIBLE MINIMUM DE CIRCUIT

Le courant admissible minimum de circuit permet de sélectionner le calibre du câble de l'alimentation électrique. (Le courant admissible de circuit minimum n'est pas la charge d'intensité de fonctionnement de la machine à glaçons.)

CARACTÉRISTIQUES ÉLECTRIQUES

Consulter la plaque de modèle/série de la machine à glaçons pour connaître les spécifications de tension/d'intensité.

- Un fusible ou un disjoncteur séparé doit être fourni pour chaque machine à glace.
- La taille du fil (ou calibre) dépend de l'emplacement, des matériaux utilisés, de la longueur du fil, etc., il doit donc être déterminé par un électricien qualifié.
- La machine à glaçons doit être mise à la terre. Inspecter toutes les vis de terre vertes dans le boîtier de commande et vérifier qu'elles sont bien serrées avant de mettre en marche la machine à glaçons.
- La variation de tension admissible maximale est de +/-10 % de la tension nominale au démarrage de la machine à glaçons (lorsque la charge électrique est la plus haute).

Attention

Respecter la polarité de tension de la ligne d'arrivée. Une mauvaise polarité peut entraîner un fonctionnement irrégulier de la machine à glaçons. Faire fonctionner l'équipement uniquement sur le type d'électricité indiqué sur la plaque signalétique.

DISJONCTEUR DE FUITE DE TERRE

Une protection par disjoncteur de fuite de terre (GFCI/GFI) est un système qui coupe le circuit électrique (l'ouvre) quand il détecte une perte inattendue de courant, probablement à la terre. Un disjoncteur de fuite à la terre n'est pas recommandé avec notre équipement. Si le code requiert l'emploi d'un disjoncteur de fuite de terre, il convient alors de respecter le code local. Le circuit doit être spécialisé, de dimensions correctes et il doit y avoir un disjoncteur de fuite de terre de panneau. Nous ne recommandons l'emploi de prises électriques avec disjoncteur de fuite de terre étant donné qu'elles sont connues pour provoquer davantage de défaillances parasites intermittentes que les disjoncteurs de panneau.

SPÉCIFICATIONS MINIMALES DE CORDON D'ALIMENTATION

Dimension de disjoncteur maximale	Dimension de câble minimale	Longueur maximale du cordon d'alimentation
15 A	Calibre 14	1,83 m (6 po)
20 A	Calibre 12	1,83 m (6 po)
30 A	Calibre 10	1,83 m (6 po)
40 A	Calibre 8	1,83 m (6 po)

Avec l'emploi d'un câble d'alimentation, la dimension du câble à la prise dépend de l'emplacement, des matériaux utilisés, de la longueur de la conduite, etc., celle-ci doit donc être déterminée par un électricien qualifié. Les conditions locales, régionales ou nationales remplaceront nos conditions minimales.

ROYAUME-UNI UNIQUEMENT

Étant donné que les couleurs de câbles du réseau principal de l'appareil risquent de ne pas correspondre aux marquages en couleur identifiant les bornes de la prise, procéder comme suit :


- Le câble de couleurs vert et jaune doit être raccordé à la borne de prise marquée de la lettre E ou du symbole de terre vert  ou de couleur verte ou vert et jaune.
- Le câble de couleur bleu doit être raccordé à la borne marquée de la lettre N ou de couleur noire.
- Le câble de couleur marron doit être raccordé à la borne marquée de la lettre L ou de couleur rouge.

Tableau des calibres maximums de disjoncteur et d'intensité de courant minimale du circuit

Important

En raison des améliorations continues, cette information n'est donnée qu'à titre de référence. Consulter l'étiquette de numéro de série de la machine à glaçons pour vérifier les données électriques. L'information de l'étiquette de série annule l'information indiquée sur cette page.

Machine à glace	Tension/Phase/ Cycle	Refroidi par air		Refroidi à l'eau		À distance	
		Fusible/ Disjoncteur maximum	Intensité minimale du circuit	Fusible/ Disjoncteur maximum	Intensité minimale du circuit	Fusible/ Disjoncteur maximum	Intensité minimale du circuit
K0250	115/1/60	15	9,44	S/O	S/O	S/O	S/O
	230/1/50	15	4,5	S/O	S/O	S/O	S/O
	230/1/60	15	4,7	S/O	S/O	S/O	S/O
K0350	115/1/60	15	12,1	15	11,4	S/O	S/O
	230/1/50	15	6,3	15	5,9	S/O	S/O
	230/1/60	15	6,2	15	5,8	S/O	S/O
K0420	115/1/60	15	11,3	15	10,6	S/O	S/O
	230/1/50	15	6,2	15	5,8	S/O	S/O
	230/1/60	15	6,2	15	5,8	S/O	S/O
K0500	115/1/60	20	12,7	20	12,0	S/O	S/O
	230/1/50	15	6,3	15	5,9	S/O	S/O
	230/1/60	15	--	15	--	S/O	S/O
K0600	208-230/1/60	20	9,2	20	8,8	S/O	S/O
	230/1/50	20	8,6	20	8,2	S/O	S/O
K1000	208-230/1/60	20	13,9	20	13,2	20	12,8
	230/1/50	20	13,8	20	13,1	20	14,1
K1350	208-230/1/60	30	18,2	30	16,8	30	17,8
	208-230/3/60	20	13,6	20	12,2	20	13,2
	230/1/50	30	18,2	30	16,8	30	17,8
K1800	208-230/1/60	30	19,6	N/A	N/A	30	19,6
	208-230/60/3	20	13,3	N/A	N/A	20	12,9
	230/1/50	30	19,6	N/A	N/A	30	19,6

Conditions requises d'alimentation en eau et d'évacuations

ALIMENTATION EN EAU

En fonction des conditions d'eau locales, il peut s'avérer nécessaire de traiter l'eau pour empêcher la formation de tartre, filtrer les sédiments et éliminer le goût et l'odeur du chlore.



Avertissement

Connecter à une alimentation en eau potable uniquement. La tuyauterie doit être conforme aux codes régionaux, locaux et nationaux.

LIGNES D'ARRIVÉE D'EAU

Suivre ces directives pour l'installation des conduites d'arrivée d'eau :

- Pour l'installation d'un système de filtration d'eau, vous référer aux instructions d'installation fournies avec le système de filtration pour les raccordements d'arrivée d'eau de fabrication de glaçons.
- Ne pas raccorder la machine à glaçons à une alimentation en eau chaude. S'assurer que tous les restricteurs d'eau chaude installés pour les autres appareils fonctionnent. (Clapets de non-retour sur robinets d'éviers, lave-vaisselle, etc.)
- Si la pression de l'eau dépasse la pression maximale recommandée de 552 kPa (80 psi), se procurer un régulateur de pression d'eau auprès de votre distributeur local.
- Installer un robinet d'arrêt de l'eau pour les lignes d'eau de fabrication de glaçons et d'eau du condenseur.
- Isoler les conduites d'arrivée d'eau pour éviter les problèmes de condensation.



Attention

Ne pas appliquer de chaleur au raccord d'arrivée du robinet d'eau et ce, pour ne pas endommager la connexion d'arrivée d'eau en plastique.

RACCORDEMENTS D'ÉVACUATION

Suivre ces directives lors de l'installation des conduites d'évacuation pour empêcher l'eau d'évacuation de retourner s'écouler dans la machine à glaçons et dans le bac de stockage :

- Les conduites d'évacuation doivent comporter une descente de 2,5 cm par mètre (1,5 po par 5 pi) et ne doivent pas créer de siphons.
- Le siphon de sol doit être suffisamment grand pour recevoir l'eau provenant de toutes les évacuations.
- Faire fonctionner séparément les lignes d'évacuation du bac et de la machine à glaçons. Les isoler pour prévenir la condensation.
- Ventiler le bac et la conduite d'évacuation de la machine à glaçons dans l'atmosphère. Ne pas ventiler l'évacuation du condenseur sur les modèles refroidis à l'eau.
- Un dispositif auxiliaire de vidange est situé dans la base de la machine à glaçons pour enlever l'humidité dans des zones d'humidité élevée. Le raccord de vidange est un embout femelle pour tuyau CPVC de 1/2 po. Le drain est étanche et l'étanchéité doit être enlevée avant d'attacher le raccord/tubulure de drainage. Enlever l'étanchéité en tapant avec une cheville en bois ou outil similaire. Sceller le tuyau CPVC à la prise de la machine à glaçons avec un produit d'étanchéité au silicone pour pouvoir l'enlever ultérieurement.

Dimensionnement/Raccordements des conduites d'alimentation en eau et d'évacuation

Emplacement	Température de l'eau	Pression d'eau	Raccordement de la machine à glaçons	Dimension de tubulure jusqu'à raccordement de machine à glaçons
Arrivée d'eau pour la fabrication de glaçons	2 °C (35 °F) Mini 32 °C (90 °F) Maxi	140 kPa (20 psi) Mini 552 kPa (80 psi) Maxi	Filetage femelle de tuyau de 0,95 cm (3/8 po)	0,95 cm (3/8 po) diamètre intérieur minimum
Évacuation d'eau pour la fabrication de glaçons	–	–	Filetage femelle de tuyau de 1,27 cm (1/2 po)	1,27 cm (1/2 po) diamètre intérieur minimum
Arrivée d'eau de condenseur	32 °C (90 °F) Maxi	Standard 140 kPa (20 psi) Mini 1034 kPa (150 psi) Maxi Option haute pression 140 kPa (20 psi) Mini 2410 kPa (350 psi) Maxi	Filetage femelle de tuyau de 12,7 mm (3/8 po)	
Évacuation d'eau du condenseur	–	–	Filetage femelle de tuyau de 1,27 cm (1/2 po)	1,27 cm (1/2 po) diamètre intérieur minimum
Évacuation de bac	–	–	Filetage femelle de tuyau de 1,91 cm (3/4 po)	1,91 cm (3/4 po) diamètre intérieur minimum
Évacuation de bac grande capacité	–	–	Filetage mâle de tuyau de 2,54 cm (1 po)	2,54 cm (1 po) diamètre intérieur minimum

PRESSION D'EAU DU CONDENSEUR REFROIDI À L'EAU

La pression d'eau au niveau du condenseur ne peut excéder 1034 kPa (150 psig) avec le robinet automatique de débit d'eau standard. Contacter un distributeur si la pression d'eau est supérieure à 1034 kPa (150 psig). Un condenseur/robinet automatique de débit d'eau sur commande spéciale est disponible pour une pression d'eau allant jusqu'à 2413 kPa (350 psig).

Important

L'État du Massachusetts exige que tous les modèles refroidis à l'eau soient raccordés uniquement à un système de tour de refroidissement à boucle fermée.

APPLICATIONS AVEC TOUR DE REFROIDISSEMENT (MODÈLES REFROIDIS-À L'EAU)

Une installation avec tour de refroidissement à eau ne requiert pas de modification de la machine à glaçons. Le régulateur d'eau du condenseur continue de contrôler la pression de refoulement de réfrigération.

Il est nécessaire de connaître la quantité de chaleur rejetée ainsi que la chute de pression dans le condenseur et les robinets d'eau (entrée et sortie) lors de l'utilisation d'une tour de refroidissement sur une machine à glaçons.

- La température de l'eau arrivant dans le condenseur ne doit pas dépasser 32 °C (90 °F).
- La quantité d'eau traversant le condenseur ne doit pas dépasser 19 litres (5 gallons) par minute.
- Prévoir une chute de pression de 50 kPa (7 psi) entre l'arrivée d'eau du condenseur et la sortie de la machine à glaçons.
- La température de l'eau sortant dans le condenseur ne doit pas dépasser 43 °C (110 °F).

Installation de condenseur à distance/de conduites

Machine à glace	Condenseur à circuit unique à distance	Conduites*
K1000	KC1000	RTK-20-R410A RTK-35-R410A RTK-50-R410A
K1350	KC1350	RLK-20-R410A RLK-35-R410A RLK-50-R410A
K1800	KC1350	RLK-20-R410A RLK-35-R410A RLK-50-R410A

*Conduites	Conduite de refoulement	Conduite de liquide
RTK	1,27 cm (1/2 po)	0,79 cm (5/16 po)
RLK	1,27 cm (1/2 po)	0,95 cm (3/8 po)

Température d'air autour du condenseur	
Minimum	Maximum
-29 °C (-20°F)	49 °C (120 °F)

Important

Les systèmes à distance ne sont approuvés et garantis qu'en tant qu'ensemble neuf complet. La garantie du système de réfrigération sera nulle si une nouvelle partie principale de machine à glaçons est raccordée à une tubulure préexistante (usagée) ou à des condenseurs à distance.

CHARGE DE LIQUIDE FRIGORIGÈNE DE LA MACHINE À GLAÇONS À DISTANCE

Chaque machine à glaçons à distance est expédiée de l'usine avec une charge en liquide frigorigène adéquate pour une installation avec des conduites allant jusqu'à 15 m (50 pi). L'étiquette de série figurant sur la machine à glaçons indique la charge en liquide frigorigène.

Un liquide frigorigène additionnel peut être requis pour des installations utilisant des conduites entre 15 et 30 m (50 et 100 pi) de long. Si du liquide frigorigène additionnel est requis, consulter le tableau ci-dessous pour connaître la quantité correcte à ajouter.

Machine à glace	Liquide frigorigène à ajouter pour des conduites de 15 à 30 m (50 pi à 100 pi)
K1000	907g (2 lbs)
K1350	907g (2 lbs)
K1800	907g (2 lbs)

Important

TECHNICIENS CERTIFIÉS EPA

Si la longueur de conduites à distance se trouve entre 15 et 30 m (50 et 100 pi), ajouter du liquide frigorigène additionnel à la charge de plaque signalétique. Consulter le tableau ci-dessous pour le modèle sur lequel on travaille.

Longueur de tubulure : _____

Liquide frigorigène ajouté à plaque signalétique : _____

Charge de liquide frigorigène neuf total : _____



Avertissement

Situation comportant un risque de blessure corporelle

La machine à glaçons contient une charge de liquide frigorigène. L'installation des conduites doit être effectuée par un technicien qualifié et certifié dans le secteur de la réfrigération par l'EPA, et qui soit informé des **dangers que comportent les équipements chargés de liquide frigorigène**.

GÉNÉRALITÉS

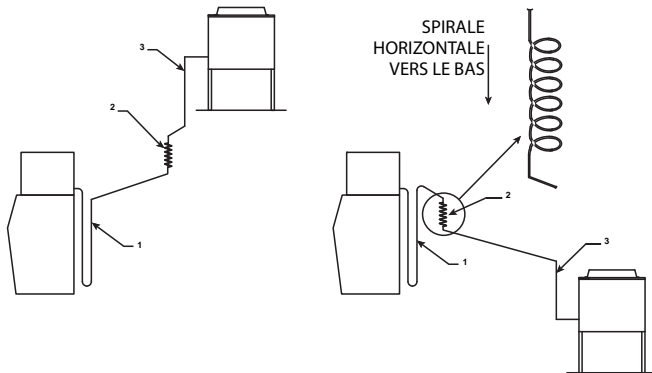
Les condenseurs doivent être montés horizontalement, le moteur de ventilateur étant sur le haut sans aucune obstruction. Il doit y avoir un espace d'au moins 41 cm (16 po) du bas pour l'admission d'air. Le panneau de raccordement avant et un autre panneau (arrière ou côté) ne doit également avoir aucune obstruction.

Les installations de condenseurs à distance comportent des conduites verticales et horizontales entre la machine à glaçons et le condenseur. Une fois combinées, elles doivent être ajustées aux spécifications approuvées. Les directives, schémas et méthodes de calcul suivants doivent être respectés pour vérifier une installation de condenseurs à distance appropriée.

⚠ Attention

La garantie du compresseur (y compris la garantie de remplacement de main d'œuvre) ne s'appliquera pas si la machine à glaçons à distance n'est pas installée conformément aux spécifications.

La présente garantie ne s'applique pas non plus si le système de réfrigération est modifié par un condenseur, un récupérateur de chaleur ou d'autres pièces ou ensembles non fabriqués par nous sauf en cas d'approbation écrite spécifique au composant.



Acheminement des conduites

CÂBLAGE

Un câblage de tension de ligne d'interconnexion est utilisé pour mettre le moteur de ventilateur du condenseur sous-tension et hors tension.

- La tension du condenseur à distance correspond à la tension de la partie principale de la machine à glaçons.

Raccordements Fil d'interconnexion	
Partie principale de la machine à glaçons	Condenseur à distance
F1	L1
F2	L2

DIRECTIVES POUR ACHEMINEMENT DES CONDUITES

Commencer par couper un trou circulaire de 6,35 cm (2,5 po) dans le mur ou le toit pour l'acheminement des tubulures. L'extrémité de conduite ayant un coude de 90° se raccordera à la machine à glaçons. L'extrémité droite se connectera au condenseur à distance.

Suivre ces directives pour acheminer les conduites de liquide frigorigène. Ceci pour permettre d'assurer un bon fonctionnement et une bonne accessibilité de service.

1. Facultatif – Effectuer la boucle de service dans les conduites (tel qu'illustré dans le schéma de l'Acheminement des conduites). Ceci permet un accès aisé à la machine à glaçons pour le nettoyage et l'entretien. Ne pas utiliser de cuivre rigide dur à cet emplacement.
2. Obligatoire – Ne pas former de siphons dans les conduites de réfrigération (sauf la boucle de service). L'huile réfrigérante doit être libre de s'évacuer vers la machine à glaçons ou le condenseur. Acheminer la tubulure en excès en une spirale horizontale vers le bas supportée (comme il l'est indiqué ci-dessous). Ne pas enrouler la tubulure verticalement.
3. Obligatoire – Conserver les longueurs de conduites de réfrigérant extérieures aussi courtes que possible.

CALCULER LES DISTANCES D'INSTALLATION DE CONDENSEUR À DISTANCE

Longueur des conduites

La longueur maximale est de 30 m (100 pi).

Le compresseur de machine à glaçons doit avoir un retour d'huile adéquat. Le récepteur est conçu pour contenir une charge suffisante pour faire fonctionner la machine à glaçons dans des températures ambiantes situées entre -29 °C (-20 °F) et 49 °C (120 °F), avec des longueurs de conduites allant jusqu'à 30 m (100 pi).

Élévation/Descente des conduites

L'élévation maximale est de 10,7 m (35 pi).

La descente maximale est de 4,5 m (15 pi).

Attention

Si une conduite a une élévation suivie par une descente, une autre élévation ne peut être effectuée. De même, si une conduite a une descente suivie par une élévation, une autre descente ne peut être effectuée.

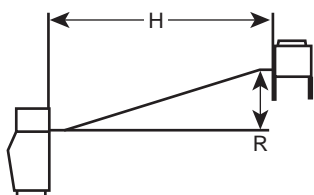
Distance calculée de conduites

La distance calculée maximale est de 45 m (150 pi).

Les élévations, descentes, parcours horizontaux de conduites (ou combinaisons de ceux-ci) dépassant les maximums indiqués excèderont les tolérances de mise en marche et de design du compresseur. Cela causera un retour d'huile médiocre vers le compresseur.

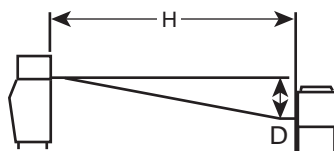
Formule de distance de conduites maximale

Étape 1.	Élévation mesurée (10,7 m [35 pi] maximum)	_____ x 1,7	=	_____	Élévation calculée
Étape 2.	Descente mesurée (4,5 m [15 pi] maximum)	_____ x 6,6	=	_____	Descente calculée
Étape 3.	Distance horizontale mesurée (30 m [100 pi] maximum)			_____	Distance horizontale
Étape 4.	Distance calculée totale 45 m (150 pi)			_____	Distance calculée totale



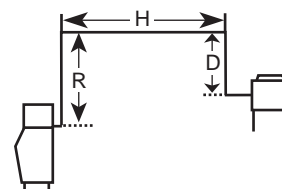
SV1196

Combinaison d'un parcours à élévation et conduite horizontale



SV1195

Combinaison d'un parcours à descente et conduite horizontale



SV1194

Combinaison d'un parcours à élévation, à descente et conduite horizontale

Effectuer les calculs suivants pour s'assurer que l'aménagement des conduites respecte les spécifications.

1. Insérer l'**élévation mesurée** dans la formule ci-dessous. Multiplier par 1,7 pour obtenir l'**élévation calculée**. (Exemple : Un condenseur situé à 10 pieds au-dessus de la machine à glaçons a une **élévation calculée** de 17 pi).
2. Insérer la **descente mesurée** dans la formule ci-dessous. Multiplier par 6,6 pour obtenir la **descente calculée**. (Exemple : Un condenseur situé à 10 pieds sous la machine à glaçons a une **descente calculée** de 66 pi).
3. Insérer la **distance horizontale mesurée** dans la formule ci-dessous. Pas de calcul nécessaire.
4. Ajouter l'**élévation calculée**, la **descente calculée** et la **distance horizontale** ensemble pour obtenir la **distance calculée totale**. Si ce total excède 45 m (150 pi), déplacer le condenseur dans un autre emplacement et refaire les calculs.

ACHEMINER LES CONDUITES

- Acheminer les conduites pour éviter les siphons et les noeuds.
- Minimiser la longueur de conduite exposée sur le toit.

RACCORDEMENT DES CONDUITES

- Couper la conduite à la bonne longueur.
- Purger les conduites avec de l'azote sec lors du brasage.
- Les robinets d'arrêt des conduites de la machine à glaçons doivent rester fermés et protégés de la chaleur pendant le brasage.

EFFECTUER UN TEST DE PRESSION ET PURGER LES CONDUITES ET LE CONDENSEUR

- Les robinets d'arrêt des conduites doivent rester fermés jusqu'à la fin des essais de pression et de l'évacuation.
- Effectuer un essai de pression à 1 000 kPa (150 psi) pendant 15 minutes minimum.
- Le niveau minimum d'évacuation est de 500 microns.
- Effectuer un essai de pression des conduites et du condenseur avec 1 034 kPa (150 psig) d'azote sec. Ajouter de l'azote aux vannes d'arrêt des conduites situées à l'arrière de la partie principale de la machine à glaçons. Compléter l'essai de pression, s'assurer qu'il n'y a aucune fuite et enlever l'azote du système avant de procéder au raccordement de la pompe à vide.

OUVRIR LES VANNES DES CONDUITES

Le débit du liquide frigorigène n'est pas audible lorsque les robinets sont ouverts. Le liquide frigorigène ne s'écoulera pas tant que la machine à glaçons n'est pas en marche et que l'électrovanne n'est pas ouverte.

- Tous les bouchons des robinets doivent être réinstallés, serrés et vérifiés pour toute fuite éventuelle afin de s'assurer qu'il n'existe pas de fuite de liquide frigorigène.
- Tourner dans le sens contraire des aiguilles d'une montre pour ouvrir tous les robinets.

Liste de vérification d'installation

- La machine à glaçons est-elle à niveau ?
- Tous les raccordements électriques et d'eau ont-ils été effectués ?
- La tension d'alimentation a-t-elle été testée et vérifiée par rapport à la valeur nominale indiquée sur la plaque signalétique ?
- Y a-t-il un dégagement approprié autour de la machine à glaçons pour la circulation d'air ?
- La machine à glaçons est-elle mise à la terre et la polarité est-elle correcte ?
- La machine à glaçons a-t-elle été installée là où des températures ambiantes resteront dans la plage de 1,6 ° - 43,3 °C (35 °F à 110 °F) ?
- La machine à glaçons a-t-elle été installée là où la température d'eau d'arrivée restera dans la plage de 1,6 ° - 32,2 °C (35 °F à 90 °F) ?
- Y a-t-il une évacuation séparé pour l'eau potable, le bac et le condenseur refroidi par eau ?
- Les évacuations de machine à glaçons et de bac sont-elles aérées ?
- Toutes les conduites de liquide frigorigène sont-elles exemptes de contact avec les autres composants ?
- Tous les fils électriques sont-ils exemptes de contact des lignes de réfrigération et de l'équipement mobile ?
- Le propriétaire/l'utilisateur a-t-il été informé de l'entretien et de l'utilisation de notre nettoyant et désinfectant ?
- Le propriétaire/l'utilisateur a-t-il rempli la carte de garantie ?
- La machine à glaçons et le bac ont-ils été désinfectés ?
- L'épaisseur de glace est-elle réglée correctement ? (Consulter les Contrôles opérationnels pour vérifier/établir l'épaisseur de pont de glace correcte.)

Contrôles additionnels pour modèles à distance

- Le ventilateur du condenseur à distance fonctionne-t-il correctement après la mise en marche ?
- Le condenseur à distance a-t-il été installé là où des températures ambiantes resteront dans la fourchette de -29 à 49 °C (-20 à 120 °F) ?
- Les conduites sont-elles acheminées correctement ?
- Les deux lignes de réfrigération vers le condenseur à distance sont-elles installées de manière à ce qu'elles ne reposent pas dans l'eau et qu'elles soient installées correctement ?

Avant la mise en marche de la machine à glaçons

Toutes les machines à glaçons sont mises en route et ajustées en usine avant l'expédition. Normalement, les nouvelles installations ne requièrent aucun ajustement.

Pour garantir un bon fonctionnement, suivre les Contrôles opérationnels figurant à la Section 3 du présent manuel. La mise en marche de la machine à glaçons et exécuter les contrôles opérationnels sont la responsabilité du propriétaire/de l'opérateur.

Les réglages et les procédures de maintenance indiqués dans ce manuel ne sont pas couverts par la garantie.

**Avertissement****Situation comportant un risque de blessure corporelle**

Ne pas utiliser un équipement qui aura été mal utilisé, abusé, négligé, endommagé ou dont les spécifications originales de fabrication auront été altérées/modifiées.

CETTE PAGE LAISSÉE EN BLANC INTENTIONNELLEMENT

Séquence de fabrication des glaçons

REMARQUE : L'interrupteur à bascule doit se trouver en position ICE (GLACE) et le rideau d'eau doit être fermé avant que la machine à glaçons ne puisse démarrer.

Cycle de purge d'eau

La machine à glaçons évacue toute eau restante du bac à eau dans le drain et le compresseur de réfrigération démarre.

Cycle de congélation

Pré-refroidissement - Le système de réfrigération refroidit l'évaporateur avant la circulation d'eau au-dessus de l'évaporateur. Le robinet d'arrivée d'eau est alimenté pendant le pré-refroidissement et demeure ainsi jusqu'à ce que l'interrupteur à flotteur d'épaisseur de glace soit satisfait.

Congélation - L'eau qui s'écoule sur l'évaporateur gèle et forme une glace sur celui-ci. Après qu'une couche de glace se soit formée, l'interrupteur à flotteur de recueil envoie un signal au tableau de commande de commencer un cycle de récupération.

Cycle de recueil

Toute l'eau restante s'évacue dans le siphon tandis que le gaz réfrigérant chauffe l'évaporateur. Lorsque l'évaporateur chauffe, la couche de glaçons glisse de l'évaporateur vers le bac de stockage. Si tous les glaçons tombent au-delà du rideau d'eau, la machine à glaçons démarre un autre cycle de congélation.

Cycle de bac plein

Si le rideau d'eau est maintenu ouvert par la présence de glaçons, la machine à glaçons s'arrête et débute une période d'attente de 3 minutes. Lorsque le rideau d'eau se ferme, la machine à glaçons débute un nouveau cycle à la purge d'eau, en autant que la période d'attente de 3 minutes est terminée.

Temporisateurs de tableau de commande

Le tableau de commande comporte les temporisateurs non réglables suivants :

- La machine à glaçons est verrouillée dans le cycle de congélation pendant 6 minutes avant de pouvoir lancer le cycle de récupération.
- Le temps de congélation maximal est de 60 minutes après quoi le tableau de commande lance automatiquement une séquence de récupération des glaçons.
- Le temps de récupération maximal est de 3,5 minutes. Le tableau de commande lance automatiquement une séquence de congélation lorsque ces temps sont dépassés.

LIMITES DE SÉCURITÉ

Les limites de sécurité sont mises en mémoire et indiquées par le tableau de commande. Le nombre de cycles requis pour arrêter la machine à glaçons varie pour chaque limite de sécurité.

Les limites de sécurité peuvent être remises à zéro en appuyant sur le bouton de mise en marche et en effectuant un nouveau cycle de fabrication de glaçons.

Une limite de sécurité est indiquée par le clignotement du témoin Service sur le tableau de commande.

- Limite de sécurité 1 - Si le temps de congélation atteint 60 minutes, le tableau de commande lance automatiquement un cycle de récupération des glaçons. La machine à glaçons s'arrête après 6 cycles consécutifs de congélation de 60 minutes.
- Limite de sécurité 2 - Si le temps de récupération des glaçons atteint 3,5 minutes, le tableau de commande lance automatiquement le cycle de congélation de la machine à glaçons. La machine à glaçons s'arrête après 500 cycles consécutifs de récupération de 3,5 minutes.
- Limite de sécurité 3 - Si le temps de congélation atteint 4 minutes et que l'eau n'est pas détecté, la machine à glaçon s'arrêtera et lancera une période d'attente de 30 minutes. La machine à glaçon repartira automatiquement au bout de l'attente de 30 minutes. Si 100 échecs consécutifs sont enregistrés, la machine à glaçons s'arrêtera.

Vérification de fonctionnement

GÉNÉRALITÉS

Toutes les machines à glaçons sont mises en route et ajustées en usine avant l'expédition. Normalement, les nouvelles installations ne requièrent aucun ajustement.

Pour assurer un bon fonctionnement, toujours suivre les vérifications opérationnelles :

- lors de la mise en marche de la machine à glaçons pour la première fois
- après une période prolongée hors service
- après le nettoyage et la désinfection

REMARQUE : Les ajustements périodiques et les procédures d'entretien ne sont pas couverts par la garantie.

VÉRIFICATION DE L'ÉPAISSEUR DES GLAÇONS

Après un cycle de recueil, inspectez les glaçons dans le bac à glace. L'interrupteur à flotteur d'épaisseur des glaçons est réglée en usine pour maintenir l'épaisseur du pont de glace à 3 mm (1/8 po).

REMARQUE : Assurez-vous que le rideau d'eau est en place quand vous effectuez ce test. Il empêche l'eau de sortir de la cuve à eau par éclaboussures.

1. Inspectez le pont reliant les glaçons. Son épaisseur doit être d'environ 3 mm (1/8 po).
2. Si un ajustement est nécessaire, tourner l'interrupteur à flotteur d'épaisseur des glaçons dans le sens des aiguilles d'une montre pour augmenter l'épaisseur du pont et dans le sens contraire des aiguilles d'une montre pour diminuer l'épaisseur du pont. Ajuster pour arriver à une épaisseur de pont de 3 mm (1/8 po).

REMARQUE : Le flotteur peut être ajusté avec une clé de 3/4 po tandis que le bac à eau est en place. Effectuer un test de deux cycles pour vérifier le niveau d'eau.



Nettoyage et désinfection

GÉNÉRALITÉS

Le propriétaire est responsable de l'entretien de la machine à glaçons conformément aux instructions figurant dans le présent manuel. Les procédures d'entretien ne sont pas couvertes par la garantie.

Nettoyez et désinfectez la machine à glace tous les six mois pour qu'elle fonctionne efficacement. Si la machine à glace nécessite d'être nettoyée et désinfectée plus fréquemment, consultez une entreprise de maintenance et de réparation qualifiée pour qu'elle teste la qualité de l'eau et recommande un traitement de l'eau approprié. Une machine à glaçons extrêmement sale doit être démontée pour le nettoyage et la désinfection.

Le nettoyant et le désinfectant pour machine à glaçons Manitowoc sont les seuls produits approuvés pour cette machine à glaçons.

Attention

Utiliser uniquement le nettoyant et le désinfectant pour machine à glaçons approuvés pour cette application (Nettoyant Manitowoc numéro de pièce 94-0546-3 et Désinfectant Manitowoc numéro de pièce 94-0565-3). L'utilisation de ces solutions d'une façon contraire aux indications portées sur l'étiquetage constitue une infraction à la loi fédérale des États-Unis. Avant toute utilisation, lisez et comprenez toutes les étiquettes imprimées sur les récipients.

Attention

Ne pas mélanger les solutions nettoyantes et désinfectantes. L'utilisation de ces solutions d'une façon contraire aux indications portées sur l'étiquetage constitue une infraction à la loi fédérale des États-Unis.

Avertissement

Portez des gants en caoutchouc et des lunettes de protection (et/ou un écran facial) lors de la manipulation du nettoyant ou du désinfectant pour machine à glace.

PROCÉDURE DE NETTOYAGE ET DE DÉSINFECTION

Cette procédure doit être exécutée au moins une fois tous les six mois.

- La machine à glaçons et le bac doivent être démontés, nettoyés et désinfectés.
- Tous les glaçons produits pendant les procédures de nettoyage et de désinfection doivent être jetés.
- Élimine les dépôts minéraux des zones ou surfaces qui sont en contact direct avec l'eau.

PROCÉDURE DE NETTOYAGE POUR L'ENTRETIEN PRÉVENTIF

- Cette procédure nettoie tous les composants dans la trajectoire du débit d'eau, et est utilisée pour nettoyer la machine à glaçons entre la procédure semi annuelle de nettoyage et de désinfection sans retirer les glaçons du bac/distributeur.
- Cette technologie permettra aussi l'initiation et l'achèvement d'un cycle de nettoyage ou de désinfection, après lequel la machine à glaçons recommence automatiquement la fabrication de glaçons.

NETTOYAGE DE L'EXTÉRIEUR

Nettoyez l'extérieur de la machine à glace aussi souvent que nécessaire pour la maintenir propre et en bon état de fonctionnement.

Essuyer les surfaces avec un linge humide rincé à l'eau afin d'enlever la poussière et la saleté à l'extérieur de la machine à glaçons. Pour les résidus gras, utilisez un linge humide rincé dans une solution de savon à vaisselle doux et d'eau. Essuyez pour sécher à l'aide d'un chiffon doux propre.

Les panneaux extérieurs ont un revêtement clair qui résiste aux taches et qui se nettoie facilement. Les produits qui contiennent des abrasifs endommageront le revêtement et égratigneront les panneaux.

- Ne jamais utiliser de tampons métalliques ou abrasifs pour le nettoyage.
- Ne jamais utiliser d'agents nettoyants à base de chlore, d'essence d'agrumes ou abrasifs sur les panneaux extérieurs et les garnitures de plastique.

Procédure de nettoyage et de désinfection

Attention

Utiliser uniquement le nettoyant et le désinfectant pour machine à glaçons approuvés pour cette application (Nettoyant Manitowoc numéro de pièce 94-0546-3 et Désinfectant Manitowoc numéro de pièce 94-0565-3). L'utilisation de ces solutions d'une façon contraire aux indications portées sur l'étiquetage constitue une infraction à la loi fédérale des États-Unis. Avant toute utilisation, lisez et comprenez toutes les étiquettes imprimées sur les récipients.

Attention

Ne pas mélanger les solutions nettoyantes et désinfectantes. L'utilisation de ces solutions d'une façon contraire aux indications portées sur l'étiquetage constitue une infraction à la loi fédérale des États-Unis.

Avertissement

Portez des gants en caoutchouc et des lunettes de protection (et/ou un écran facial) lors de la manipulation du nettoyant ou du désinfectant pour machine à glace.

Le nettoyant pour machine à glace est utilisé pour retirer le tartre et les dépôts minéraux. Le désinfectant pour machine à glace et assainit élimine les algues et les dépôts visqueux.

Étape 1 Enlever la porte avant pour accéder au compartiment de l'évaporateur. La glace ne doit pas se trouver sur l'évaporateur durant le cycle de nettoyage/désinfection. Amenez le commutateur à bascule sur la position OFF (ARRÊT) une fois que la glace tombe de l'évaporateur à la fin d'un cycle de recueil. Ou bien, amenez le commutateur sur la position OFF (ARRÊT) et laissez à la glace sur l'évaporateur le temps de fondre.

Attention

Ne jamais utiliser quoi que ce soit pour détacher en force la glace de l'évaporateur. L'évaporateur pourrait être endommagé.

Étape 2 Retirer tous les glaçons du bac/distributeur.

Étape 3 Mettre l'interrupteur à bascule en position CLEAN (NETTOYAGE). L'eau s'écoulera par le robinet de vidange d'eau puis dans le drain. Attendre que le bac à eau se remplisse, puis ajouter la bonne quantité de nettoyant pour machine à glaçons.

Modèle	Quantité de nettoyant
K0250 K0350 K0420	90 ml (3 onces)
K0500 K0600 K1000	150 ml (5 onces)
K1350 K1800	265 ml (9 onces)

Étape 4 Attendre que le cycle de nettoyage soit terminé (approximativement 24 minutes). Puis couper l'alimentation vers la machine à glaçons (et le distributeur s'il y a lieu).

Avertissement

Couper l'alimentation de la machine à glaçons au niveau de la boîte de distribution électrique.

Étape 5 Retirez les pièces à nettoyer.

Consulter les procédures de retrait des pièces correspondant à votre machine à glaçons. Passer à l'étape 6 une fois les pièces retirées.

Machines à glaçons à évaporateur unique - Page 52

Étape 6 Mélanger une solution nettoyante avec de l'eau chaude. Selon la quantité de dépôt minéral, une quantité plus importante de solution peut être requise. Utilisez le ratio dans le tableau ci-dessous pour mélanger suffisamment de solution pour un nettoyage soigneux de toutes les pièces.

Type de solution	Eau	Mélangée avec
Nettoyant	4 l (1 gal.)	500 ml (16 oz) de nettoyant

Étape 7 Utiliser la moitié du mélange nettoyant/eau pour nettoyer tous les composants. La solution nettoyante mousse lorsqu'elle est en contact avec du tartre ou des dépôts minéraux ; lorsque la formation de mousse s'arrête, utiliser une brosse en nylon à poils souples, une éponge ou un chiffon (PAS une brosse métallique) pour nettoyer soigneusement les pièces. Faire tremper les pièces pendant 5 minutes (15 - 20 minutes pour les pièces fortement entartrées). Rincez tous les composants avec de l'eau propre.

Étape 8 Pendant le trempage des composants, utiliser la moitié de la solution nettoyant/eau pour nettoyer toutes les surfaces de la zone alimentaire de la machine à glaçons et du bac (ou du distributeur). Utilisez une brosse de nylon ou un chiffon pour nettoyer soigneusement les zones suivantes de la machine à glace :

- Pièces en plastique de l'évaporateur, y compris le haut, le bas et les côtés
- Le fond du bac, les côtés et le haut

Rincez soigneusement toutes les zones avec de l'eau propre.

PROCÉDURE DE DÉSINFECTION

Étape 9 Mélanger une solution désinfectante avec de l'eau tiède.

Type de solution	Eau	Mélangée avec
Désinfectant	12 l (3 gal.)	60 ml (2 oz) de désinfectant

Étape 10 Utilisez la moitié de la solution désinfectant/eau pour désinfecter tous les composants retirés. Utiliser un flacon pulvérisateur pour appliquer abondamment la solution sur toutes les surfaces des pièces retirées ou faire tremper les pièces retirées dans la solution désinfectant/eau. Ne pas rincer les pièces après les avoir désinfectées.

Étape 11 Utiliser la moitié de la solution désinfectant/eau pour désinfecter toutes les surfaces de la zone alimentaire de la machine à glaçons et du bac (ou du distributeur). Utiliser un flacon pulvérisateur pour appliquer abondamment la solution. Lors de la désinfection, veillez particulièrement aux zones suivantes :

- Pièces en plastique de l'évaporateur, y compris le haut, le bas et les côtés
- Base de la machine à glaçons (dessus du bac) et zone au-dessus du bac à eau
- Côtés et bas du bac

Ne pas rincer les zones désinfectées.

Étape 12 Remplacez toutes les pièces retirées.

Étape 13 Attendre 25 minutes.

Étape 14 Remettre la machine à glaçons sous tension et placer l'interrupteur à bascule en position CLEAN.

Étape 15 Attendre que le bac à eau se remplisse, puis ajouter la bonne quantité de désinfectant pour machine à glaçons dans le bac à eau.

Modèle	Quantité de désinfectant
K0250 K0350 K0420 K0500 K0600 K1000	90 ml (3 onces)
K1350 K1800	180 ml (6 onces)

Étape 16 Attendre que le cycle de désinfection soit terminé (environ 24 minutes), placer l'interrupteur à bascule en position ICE pour commencer la fabrication de glaçons.

Retrait des pièces pour le nettoyage/la désinfection

Machines à glaçons à évaporateur unique

A. Retrait du rideau d'eau

- Plier doucement le rideau en son centre et le retirer par la droite.
- Désengager la cheville gauche.

B. Retirer le bac à eau

- Appuyer sur les languettes sur la droite et la gauche du bac à eau.
- Laisser l'avant du bac à eau descendre en tirant vers l'avant pour dégager les chevilles arrière.

C. Retirer l'interrupteur à flotteur d'épaisseur de glace et de recueil

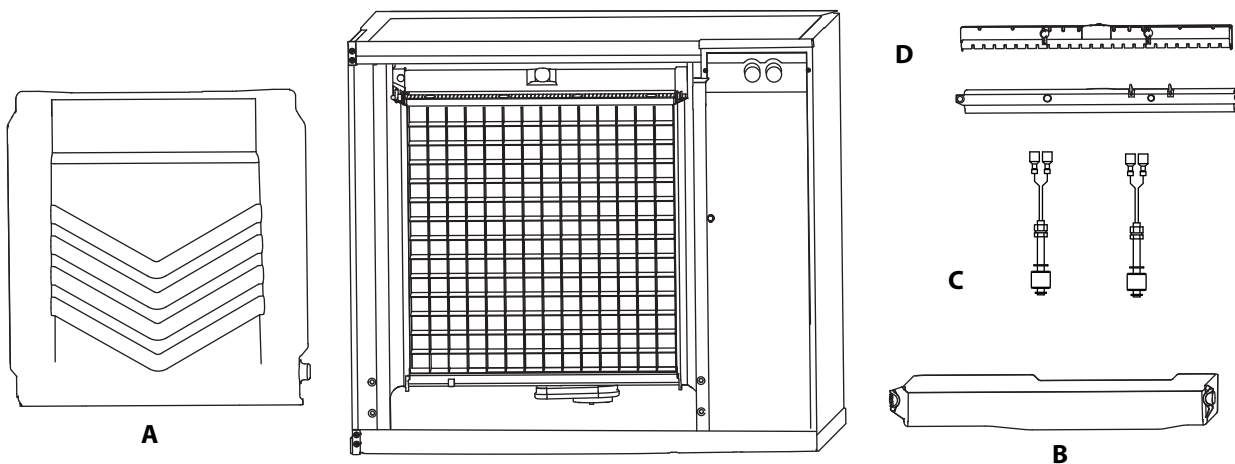
- Baisser l'interrupteur à flotteur directement vers le bas pour le désengager.
- Abaisser l'interrupteur à flotteur jusqu'à ce que le connecteur de câble soit visible.
- Débrancher le fil conducteur de l'interrupteur à flotteur.

- Enlever l'interrupteur à flotteur de la machine à glaçon.

D. Retirer le tube de distribution d'eau

REMARQUE : Les vis à oreilles du tube de distribution sont maintenues en place pour éviter toute perte. Desserrer les vis à oreilles sans les sortir du tube de distribution.

- Desserrer les deux vis extérieures (ne pas les retirer complètement étant donné qu'elles sont maintenues en place pour éviter toute perte) et tirer le tube de distribution vers l'avant pour libérer le joint coulissant.
- Démontez le tube de distribution en desserrant les deux (2) vis à oreilles du milieu et en séparant le tube de distribution en deux parties.
- Passer à Page 51 l'étape 6.



Procédure de nettoyage pour l'entretien préventif

Cette procédure nettoie tous les composants dans la trajectoire du débit d'eau, et est utilisée pour nettoyer la machine à glaçons entre la procédure semi annuelle de nettoyage et de désinfection.

Le nettoyant pour machine à glace est utilisé pour retirer le tartre et les dépôts minéraux. Le désinfectant pour machine à glace et assainit élimine les algues et les dépôts visqueux.

REMARQUE : Bien que ce ne soit pas nécessaire et selon votre installation, enlever le couvercle supérieur de la machine à glaçons peut faciliter l'accès.

Étape 1 La glace ne doit pas se trouver sur l'évaporateur durant le cycle de nettoyage/désinfection. Suivre une des méthodes ci-dessous :

- Placer l'interrupteur à bascule en position OFF une fois que la glace tombe de l'évaporateur à la fin d'un cycle de recueil.
- Placer l'interrupteur à bascule en position OFF et laisser les glaçons fondre.

Attention

Ne jamais utiliser quoi que ce soit pour détacher en force la glace de l'évaporateur. L'évaporateur pourrait être endommagé.

Étape 2 Ouvrir la porte avant et placer l'interrupteur à bascule en position CLEAN. Attendre que le bac à eau se remplisse (environ 1 minute) puis ajouter la bonne quantité de nettoyant pour machine à glaçons dans le bac à eau.

Modèle	Quantité de nettoyant
K0250 K0350 K0420	90 ml (3 onces)
K0500 K0600 K1000	150 ml (5 onces)
K1350 K1800	265 ml (9 onces)

Étape 3 Après 1 minute placer l'interrupteur à bascule en position ICE et fermer et sécuriser la porte avant. La machine à glaçons commencera automatiquement la fabrication de glaçons une fois que le cycle de nettoyage est complété (environ 24 minutes).

Retrait des portes

1. À l'aide d'un tournevis cruciforme, desserrer les deux vis maintenant les portes gauche et droite. Ne pas les retirer, elles sont maintenues pour éviter de les perdre.
2. Pencher la porte vers l'avant et soulever pour enlever.

Nettoyage du filtre du condenseur

Le filtre lavable sur les machines à glace autonomes est conçu pour attraper la poussière, la saleté, la peluche et la graisse. Nettoyer le filtre avec de l'eau et un savon doux.

Nettoyage du condenseur

Avertissement

Débrancher l'alimentation électrique de la partie principale de la machine à glaçons et l'unité de condensation à distance au niveau des interrupteurs de distribution électrique avant de nettoyer le condenseur.

Un condenseur sale empêche l'air de circuler, ce qui occasionne des températures de fonctionnement élevées. Ceci réduit la production de glace et réduit la durée de vie des composants.

- Nettoyez le condenseur au moins tous les six mois.

Avertissement

Les ailettes de refroidissement sont aiguisées. Faites preuve de précautions quand vous les nettoyez.

- Pointez une lampe torche à travers le condenseur pour vérifier s'il reste de la saleté entre les ailettes de refroidissement.
- Souffler à l'air comprimé ou rincer à l'eau de l'intérieur vers l'extérieur (sens opposé du débit d'air).
- S'il reste de la saleté, contacter un agent de service pour nettoyer le condenseur.

Mise hors service/hivernisation

1. Nettoyer et désinfecter la machine à glaçons.
2. Placer l'interrupteur à bascule en position OFF et fermer la machine à glaçons.
3. Couper l'alimentation en eau, débrancher et vider la conduite d'eau de fabrication de glaçons entrante à l'arrière de la machine à glaçons et vider le bac à eau.
4. Mettre la machine à glaçons sous tension, attendre une minute pour que le robinet d'arrivée d'eau s'ouvre et souffler de l'air comprimé dans les ouvertures de l'eau entrante et de l'évacuation à l'arrière de la machine à glaçons pour retirer toute l'eau.
5. Placer l'interrupteur à bascule en position OFF et fermer la machine à glaçons. Débranchez l'alimentation électrique au niveau du disjoncteur ou de l'interrupteur secteur.
6. Remplir un flacon pulvérisateur d'une solution de désinfectant/eau et vaporiser toutes les surfaces de zone alimentaire intérieures. Ne pas rincer et laisser sécher à l'air.
7. Remettre tous les panneaux en place.

MACHINES À GLAÇONS REFROIDIES À L'EAU

1. Effectuer les étapes 1-6 sous « Mise hors service/ Hivernisation ».
2. Débrancher la conduite d'eau entrante et d'évacuation du condenseur refroidi à l'eau.
3. Mettre la machine à glaçons sous tension en cycle de congélation. La pression en augmentation du liquide frigorigène ouvrira la vanne de régulation d'eau.
4. Souffler de l'air comprimé à travers le condenseur jusqu'à ce qu'il n'y ait plus d'eau.
5. Remettre tous les panneaux en place.

Liste de vérification

En cas de problème pendant le fonctionnement de la machine à glaçons, suivre la liste de vérification ci-dessous avant de contacter le service technique. Les ajustements périodiques et les procédures d'entretien ne sont pas couverts par la garantie.

Problème	Cause possible	Mesure corrective
La machine à glaçons ne fonctionne pas.	Aucune alimentation électrique à la machine à glaçons.	Remplacer le fusible/réinitialiser le disjoncteur/activer l'interrupteur principal/brancher le cordon d'alimentation dans une prise électrique.
	La machine à glaçon doit être mise en marche.	Mettre l'interrupteur à bascule en position ICE pour commencer la fabrication de glaçons.
	Rideau en position ouverte (abaissé).	Le rideau doit être en position fermée et pouvoir basculer librement.
La machine à glaçons s'arrête et peut être redémarrée en mettant la machine en ARRÊT puis en MARCHÉ.	La fonction de limite de sécurité arrête la machine à glaçons.	Se reporter à « Fonction de limite de sécurité » à la page suivante.
La couche de glace est épaisse	Le niveau du bac à eau est trop haut.	Ajuster le flotteur d'épaisseur de glaçons.
	Le bouton d'alimentation a été ouvert/fermé durant le cycle de congélation et de la glace est restée sur l'évaporateur.	Laisser la glace fondre et se dégager de l'évaporateur, puis redémarrer.
	L'amortisseur de glaçons a été ouvert puis fermé dans le cycle de recueil avant que la glace ne soit dégagée.	Laisser la glace fondre et se dégager de l'évaporateur, puis redémarrer.
La machine à glaçons ne libère pas les glaçons ou est lente à récupérer les glaçons.	La machine à glaçons est sale.	Nettoyer et désinfecter la machine à glaçons.
	La machine à glaçons n'est pas nivelée.	Niveler la machine à glaçons.
	Température ambiante basse autour de la machine à glaçons (modèles refroidis à l'air).	La température ambiante doit être d'au moins de 4 °C (40 °F).
	Le robinet automatique de débit d'eau fuit en mode de récupération (modèles refroidis à l'eau).	Remplacer le robinet automatique de débit d'eau.
La machine à glaçons ne cycle pas en mode de récupération.	Le verrouillage de temps de congélation de six minutes n'est pas encore arrivé à échéance.	Attendre que le verrouillage de congélation arrive à échéance.
	L'interrupteur à flotteur d'épaisseur des glaçons est sale.	Nettoyer et désinfecter la machine à glaçons.
	Le fil de l'interrupteur à flotteur d'épaisseur des glaçons est débranché.	Raccorder le fil.
	L'interrupteur à flotteur d'épaisseur des glaçons est mal ajusté.	Ajuster l'interrupteur à flotteur d'épaisseur des glaçons.
	Remplissage de glace irrégulier (mince sur le dessus de l'évaporateur).	Vous reporter à « Glaçons creux ou incomplets » à la page suivante.
La qualité des glaçons est mauvaise (mous ou opaques).	Qualité médiocre de l'eau entrante.	Contactez une entreprise de maintenance qualifiée pour tester la qualité de l'eau entrante et faire les recommandations de filtre appropriées.
	La filtration de l'eau est médiocre.	Changer le filtre.
	La machine à glaçons est sale.	Nettoyer et désinfecter la machine à glaçons.
	L'adoucisseur d'eau ne fonctionne pas correctement (le cas échéant).	Réparer l'adoucisseur d'eau.

Suite à la page suivante...

Problème	Cause possible	Mesure corrective
La machine à glaçons produit des glaçons creux et incomplets, ou le motif de remplissage de glaçons sur l'évaporateur est incomplet.	L'interrupteur à flotteur d'épaisseur des glaçons est mal ajusté.	Ajuster l'interrupteur à flotteur d'épaisseur des glaçons.
	Le niveau du bac à eau est trop élevé ou trop bas.	Vérifier le niveau d'eau et ajuster si besoin.
	La filtration de l'eau est médiocre.	Changer le filtre.
	Eau d'arrivée chaude.	Raccorder la machine à glaçons à une alimentation en eau froide.
	Pression d'eau entrante incorrecte.	La pression d'eau doit être entre 137,9 à 551,5 kPa (20 et 80 psi).
	La machine à glaçons n'est pas nivelée.	Niveler la machine à glaçons.
Faible capacité de glaçons.	Le condenseur est sale.	Nettoyer le condenseur.
	Température ambiante élevée autour de la machine à glaçons (modèles refroidis à l'air).	La température ambiante ne doit pas dépasser 43 °C (110 °F).
	Dégagement insuffisant autour de la machine à glaçons.	Fournir un dégagement suffisant.
	Objets empilés autour de la machine à glaçons obstruant la circulation d'air au condensateur (modèles refroidis à l'air).	Retirer les objets obstruant la circulation d'air.
	Eau d'arrivée chaude.	Raccorder la machine à glaçons à une alimentation en eau froide.
	Pression d'eau entrante incorrecte. La pression d'eau est trop basse ou le filtre à eau est restreint.	La pression d'eau doit être entre 137,9 à 551,5 kPa (20 et 80 psi). Consulter la Section 2 pour les spécifications relatives à la plomberie. Remplacer le filtre à eau.

Fonction de limite de sécurité

En plus des contrôles de sécurité standard, tels que la coupure haute pression, la machine à glaçons comporte des limites de sécurité intégrées qui arrêteront la machine à glaçons dans l'éventualité de conditions susceptibles de provoquer une défaillance de composants principaux.

Consulter la Safety Limits Section 3 pour plus d'informations sur les limites de sécurité.

Avant d'appeler le service technique, redémarrer la machine à glace en suivant la procédure ci-dessous :

1. Mettre l'interrupteur à bascule en position OFF, puis en position ICE.
 - A. Si la fonction de limite de sécurité a arrêté la machine à glace, elle redémarrera dans un bref délai. Passez à l'étape 2.
 - B. Si la machine à glaçons ne se remet pas en marche, voir la section « La machine à glaçons ne fonctionne pas » à la page précédente.
2. Laisser fonctionner la machine à glaçons pour voir si la condition se répète.
 - A. Si la machine à glaçons s'arrête à nouveau, c'est que la condition s'est répétée. Appelez le service technique.
 - B. Si la machine à glace continue à tourner, la condition s'est corrigée d'elle-même. Laissez tourner la machine à glace.

© 2013

Continuing product improvements may necessitate change of specifications without notice.

Part Number 000012545 Rev01 9/15

KOOLAIRE[®]

Manitowoc Foodservice -Ice Machine Division
2110 South 26th Street, P.O. Box 1720
Manitowoc, WI 54221-1720, USA
Ph: 1-824-724-2273
Visit us online at: www.kool-aire.com